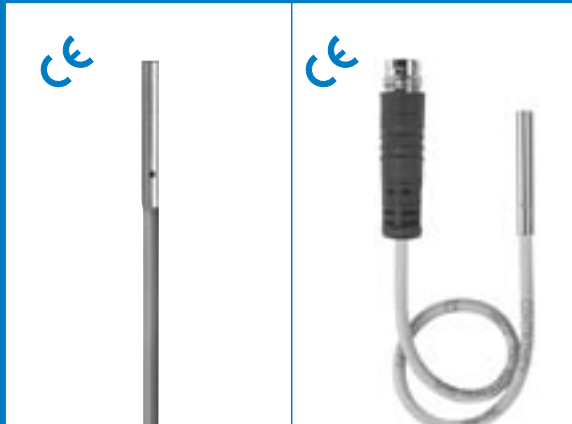
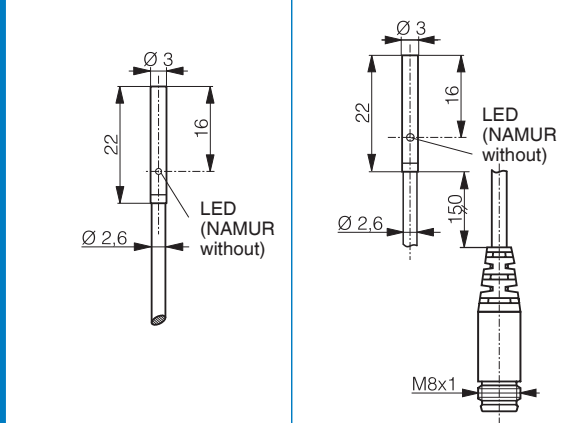
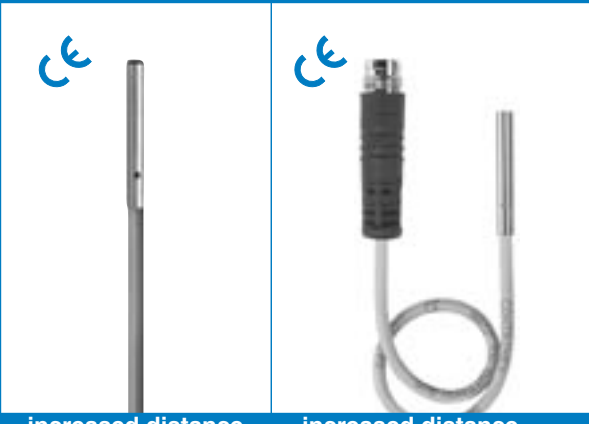
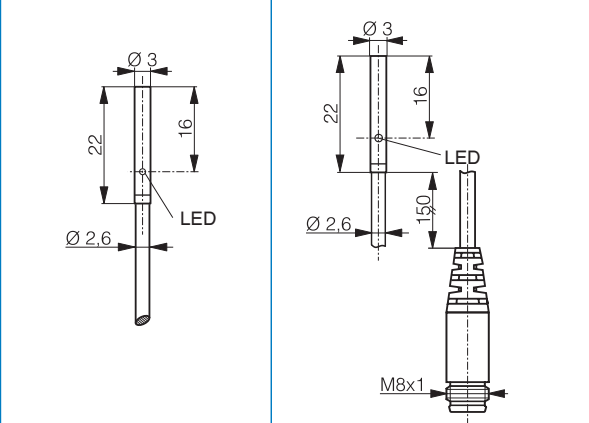


Ø 3

Ø 3

Housing size	Ø 3																																											
Operating distance mm	0.6		0.6																																									
Housing material	Stainless steel V2A		Stainless steel V2A																																									
Connection ¹⁾	PUR cable type 1		PUR cable type 1 / Connec. S8																																									
Degree of protection	IP 67		IP 67																																									
Mounting	Embeddable		Embeddable																																									
Max. switching frequency	5,000 Hz	10,000 Hz	5,000 Hz	10,000 Hz																																								
Technical data ²⁾	Table 1	Table 5	Table 1	Table 5																																								
Wiring ³⁾	Diagram 1	Diagram 4	Diagram 1	Diagram 4																																								
LED	Built-in	---	Built-in	---																																								
Supply voltage range	10 ... 30 VDC	7.7 ... 9 VDC	10 ... 30 VDC	7.7 ... 9 VDC																																								
Ambient temperature range	-25 ... +70 °C*		-25 ... +70 °C*																																									
Output current	≤ 100 mA	≤ 1/≥ 2.2 mA**	≤ 100 mA	≤ 1/≥ 2.2 mA**																																								
¹⁾ Standard cable length 2 m. Non-standard cable lengths and types on request. ²⁾ see page 76 ³⁾ see page 77 ⁴⁾ see page 146																																												
Dimensions:																																												
Part references: (bold): preferred types	<table border="1"> <tr> <td>NPN N.O.</td> <td>DW-AD-301-03</td> <td></td> <td>DW-AS-301-03</td> <td></td> </tr> <tr> <td>NPN N.C.</td> <td>DW-AD-302-03</td> <td></td> <td>DW-AS-302-03</td> <td></td> </tr> <tr> <td>PNP N.O.</td> <td>DW-AD-303-03</td> <td></td> <td>DW-AS-303-03</td> <td></td> </tr> <tr> <td>PNP N.C.</td> <td>DW-AD-304-03</td> <td></td> <td>DW-AS-304-03</td> <td></td> </tr> <tr> <td>NAMUR</td> <td></td> <td>DW-AD-305-03</td> <td></td> <td>DW-AS-305-03</td> </tr> <tr> <td>AC/DC 2-wire N.O.</td> <td></td> <td></td> <td></td> <td></td> </tr> <tr> <td>AC/DC 2-wire N.C.</td> <td></td> <td></td> <td></td> <td></td> </tr> <tr> <td>Compatible connectors ⁴⁾</td> <td></td> <td></td> <td>A ... D</td> <td>A, B</td> </tr> </table>				NPN N.O.	DW-AD-301-03		DW-AS-301-03		NPN N.C.	DW-AD-302-03		DW-AS-302-03		PNP N.O.	DW-AD-303-03		DW-AS-303-03		PNP N.C.	DW-AD-304-03		DW-AS-304-03		NAMUR		DW-AD-305-03		DW-AS-305-03	AC/DC 2-wire N.O.					AC/DC 2-wire N.C.					Compatible connectors ⁴⁾			A ... D	A, B
NPN N.O.	DW-AD-301-03		DW-AS-301-03																																									
NPN N.C.	DW-AD-302-03		DW-AS-302-03																																									
PNP N.O.	DW-AD-303-03		DW-AS-303-03																																									
PNP N.C.	DW-AD-304-03		DW-AS-304-03																																									
NAMUR		DW-AD-305-03		DW-AS-305-03																																								
AC/DC 2-wire N.O.																																												
AC/DC 2-wire N.C.																																												
Compatible connectors ⁴⁾			A ... D	A, B																																								

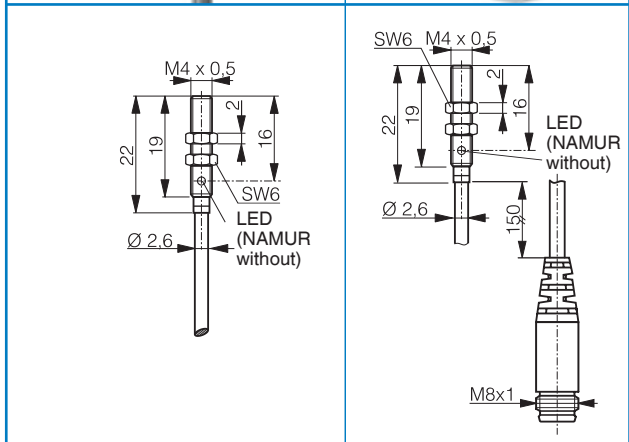
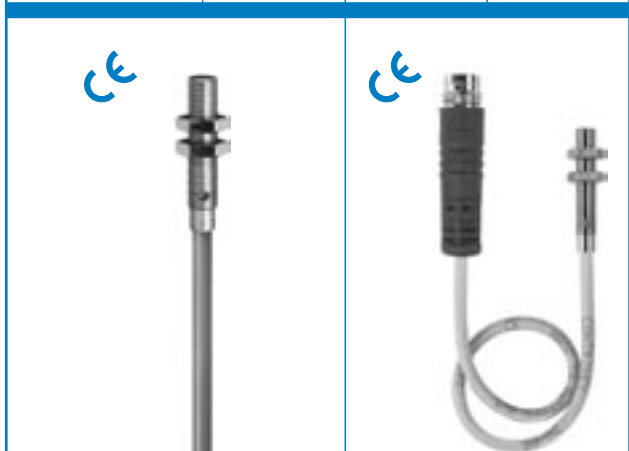
* -13 ... +158 °F ** damped / non-damped

Housing size	Ø 3																									
Operating distance mm	1.0																									
Housing material	Stainless steel V2A																									
Connection ¹⁾	PUR cable type 1																									
Degree of protection	IP 67																									
Mounting	Embeddable																									
Max. switching frequency	3,000 Hz																									
Technical data ²⁾	Table 1																									
Wiring ³⁾	Diagram 1																									
LED	Built-in																									
Supply voltage range	10 ... 30 VDC																									
Ambient temperature range	-25 ... +70 °C*																									
Output current	≤ 100 mA																									
¹⁾ Standard cable length 2 m. Non-standard cable lengths and types on request. ²⁾ see page 76 ³⁾ see page 77 ⁴⁾ see page 146																										
Dimensions:																										
Part references: (bold): preferred types	<table border="1"> <tr> <td>NPN N.O.</td> <td>DW-AD-621-03</td> <td>DW-AS-621-03</td> </tr> <tr> <td>NPN N.C.</td> <td>DW-AD-622-03</td> <td>DW-AS-622-03</td> </tr> <tr> <td>PNP N.O.</td> <td>DW-AD-623-03</td> <td>DW-AS-623-03</td> </tr> <tr> <td>PNP N.C.</td> <td>DW-AD-624-03</td> <td>DW-AS-624-03</td> </tr> <tr> <td>NAMUR</td> <td></td> <td></td> </tr> <tr> <td>AC/DC 2-wire N.O.</td> <td></td> <td></td> </tr> <tr> <td>AC/DC 2-wire N.C.</td> <td></td> <td></td> </tr> <tr> <td>Compatible connectors ⁴⁾</td> <td></td> <td>A ... D</td> </tr> </table>		NPN N.O.	DW-AD-621-03	DW-AS-621-03	NPN N.C.	DW-AD-622-03	DW-AS-622-03	PNP N.O.	DW-AD-623-03	DW-AS-623-03	PNP N.C.	DW-AD-624-03	DW-AS-624-03	NAMUR			AC/DC 2-wire N.O.			AC/DC 2-wire N.C.			Compatible connectors ⁴⁾		A ... D
NPN N.O.	DW-AD-621-03	DW-AS-621-03																								
NPN N.C.	DW-AD-622-03	DW-AS-622-03																								
PNP N.O.	DW-AD-623-03	DW-AS-623-03																								
PNP N.C.	DW-AD-624-03	DW-AS-624-03																								
NAMUR																										
AC/DC 2-wire N.O.																										
AC/DC 2-wire N.C.																										
Compatible connectors ⁴⁾		A ... D																								

SERIES 300

M4

0.6		0.6	
Stainless steel V2A		Stainless steel V2A	
PUR cable type 1		PUR cable type 1 / Connec. S8	
IP 67		IP 67	
Embeddable		Embeddable	
5,000 Hz	10,000 Hz	5,000 Hz	10,000 Hz
Table 1	Table 5	Table 1	Table 5
Diagram 1	Diagram 4	Diagram 1	Diagram 4
Built-in	---	Built-in	---
10 ... 30 VDC	7.7 ... 9 VDC	10 ... 30 VDC	7.7 ... 9 VDC
-25 ... +70 °C*	-25 ... +70 °C*	-25 ... +70 °C*	-25 ... +70 °C*
≤ 100 mA	≤1/≥2.2mA**	≤ 100 mA	≤1/≥2.2mA**

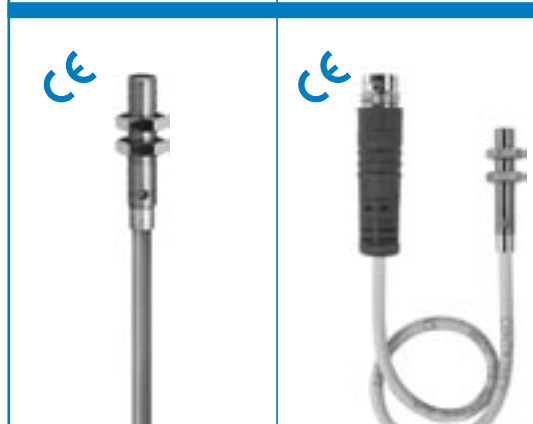


DW-AD-301-M4	DW-AS-301-M4
DW-AD-302-M4	DW-AS-302-M4
DW-AD-303-M4	DW-AS-303-M4
DW-AD-304-M4	DW-AS-304-M4
DW-AD-305-M4	DW-AS-305-M4
	A ... D
	A, B

SERIES 620

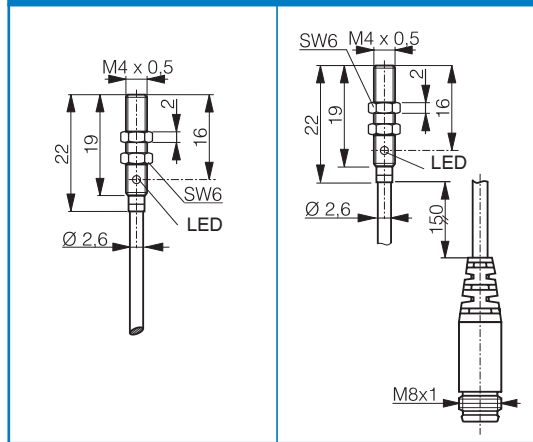
M4

1.0		1.0	
Stainless steel V2A		Stainless steel V2A	
PUR cable type 1		PUR cable type 1 / Connec. S8	
IP 67		IP 67	
Embeddable		Embeddable	
3,000 Hz		3,000 Hz	
Table 1		Table 1	
Diagram 1		Diagram 1	
Built-in		Built-in	
10 ... 30 VDC		10 ... 30 VDC	
-25 ... +70 °C*		-25 ... +70 °C*	
≤ 100 mA		≤ 100 mA	



increased distance

increased distance

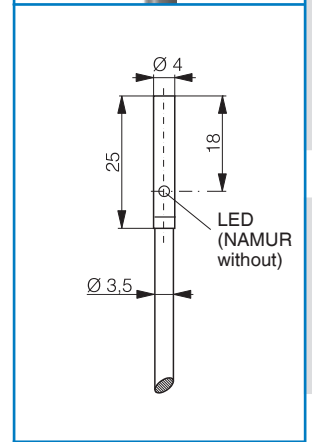
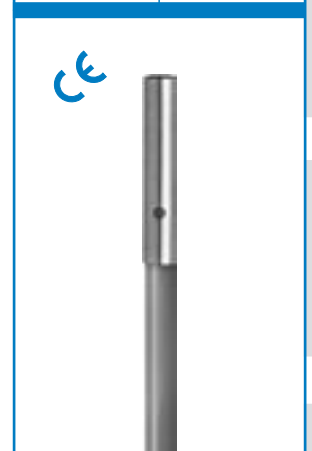


DW-AD-621-M4	DW-AS-621-M4
DW-AD-622-M4	DW-AS-622-M4
DW-AD-623-M4	DW-AS-623-M4
DW-AD-624-M4	DW-AS-624-M4
	A ... D

SERIES 400


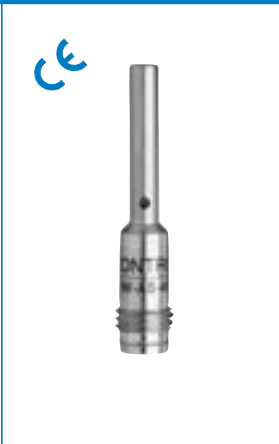


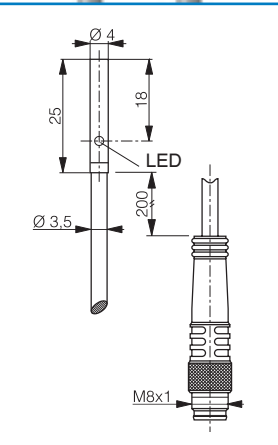
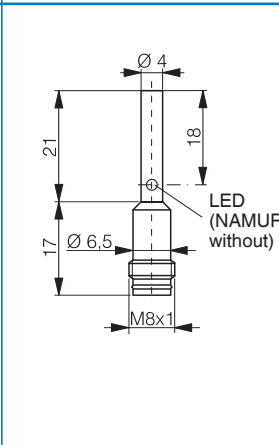
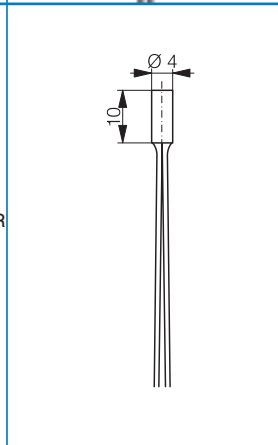
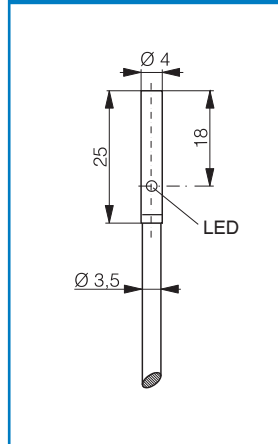
Ø 4

0.8	
Stainless steel V2A	
PVC cable type 2	
IP 67	
Embeddable	
5,000 Hz	10,000 Hz
Table 1	Table 5
Diagram 1	Diagram 4
Built-in	---
10 ... 30 VDC	7.7 ... 9 VDC
-25 ... +70 °C*	-25 ... +70 °C*
≤ 200 mA	≤1/≥2.2mA**



DW-AD-401-04	
DW-AD-402-04	
DW-AD-403-04	
DW-AD-404-04	
	DW-AD-405-04

* -13 ... +158 °F **damped / non-damped

Housing size	Ø 4			Ø 4
Operating distance mm	0.8	0.8	0.8	1.5
Housing material	Stainless steel V2A	Stainless steel V2A	Stainless steel V2A	Stainless steel V2A
Connection ¹⁾	PVC cable type 2 / Connec. S8	Connector S8	Single wires	PVC cable type 2
Degree of protection	IP 67	IP 67	IP 67	IP 67
Mounting	Embeddable	Embeddable	Embeddable	Embeddable
Max. switching frequency	5,000 Hz	5,000 Hz	10,000 Hz	3,000 Hz
Technical data ²⁾	Table 1	Table 1	Table 5	Table 1
Wiring ³⁾	Diagram 1	Diagram 1	Diagram 4	Diagram 1
LED	Built-in	Built-in	---	Built-in
Supply voltage range	10 ... 30 VDC	10 ... 30 VDC	7.7 ... 9 VDC	10 ... 30 VDC
Ambient temperature range	-25 ... +70 °C*	-25 ... +70 °C*	-25 ... +70 °C*	-25 ... +70 °C*
Output current	≤ 200 mA	≤ 200 mA	≤ 1 / ≥ 2.2 mA**	≤ 200 mA
¹⁾ Standard cable length 2 m. Non-standard cable lengths and types on request. ²⁾ see page 76 ³⁾ see page 77 ⁴⁾ see page 146				
Dimensions:				
Part references: (bold: preferred types)		DW-AS-401-04		DW-AD-621-04
		DW-AS-402-04		DW-AD-622-04
	DW-AV-403-04-236	DW-AS-403-04		DW-AD-623-04
	DW-AV-404-04-236	DW-AS-404-04		DW-AD-624-04
		DW-AS-405-04	DW-AD-405-04K	
Compatible connectors ⁴⁾	A ... D	A ... D	A, B	

* -13 ... +158 °F

** damped / non-damped

increased distance

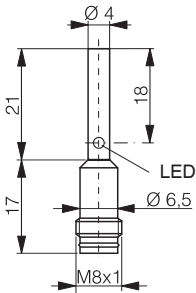
620

1.5

Stainless steel V2A
Connector S8
IP 67
Embeddable
3,000 Hz
Table 1
Diagram 1
Built-in
10 ... 30 VDC
-25 ... +70 °C*
≤ 200 mA



increased distance



DW-AS-621-04
DW-AS-622-04
DW-AS-623-04
DW-AS-624-04

A ... D

* -13 ... +158 °F

SERIES 500

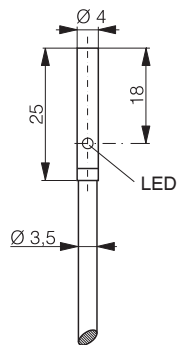
Ø 4

2.5

Stainless steel V2A
PVC cable type 2
IP 67
Embeddable
800 Hz
Table 1
Diagram 1
Built-in
10 ... 30 VDC
-25 ... +70 °C*
≤ 200 mA



long distance



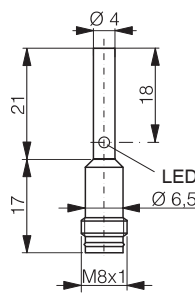
DW-AD-501-04***
DW-AD-502-04***
DW-AD-503-04
DW-AD-504-04***

2.5

Stainless steel V2A
Connector S8
IP 67
Embeddable
800 Hz
Table 1
Diagram 1
Built-in
10 ... 30 VDC
-25 ... +70 °C*
≤ 200 mA



long distance



DW-AS-501-04***
DW-AS-502-04***
DW-AS-503-04***
DW-AS-504-04***

A ... D

*** Please check availability

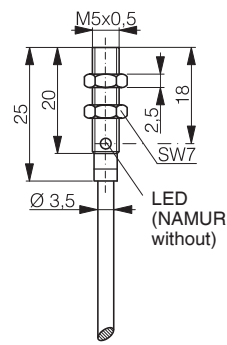
SERIES 400

M5

0.8

Stainless steel V2A
PVC cable type 2
IP 67
Embeddable
5,000 Hz
10,000 Hz
Table 1
Table 5
Diagram 1
Diagram 4
Built-in

10 ... 30 VDC
7.7 ... 9 VDC
-25 ... +70 °C*
-25 ... +70 °C*
≤ 200 mA
≤ 1/≥ 2.2 mA**

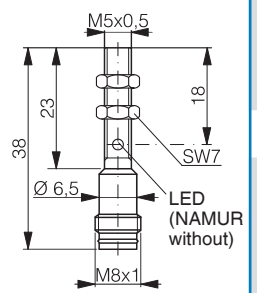


DW-AD-401-M5
DW-AD-402-M5
DW-AD-403-M5
DW-AD-404-M5
DW-AD-405-M5

0.8

Stainless steel V2A
Connector S8
IP 67
Embeddable
5,000 Hz
10,000 Hz
Table 1
Table 5
Diagram 1
Diagram 4
Built-in

10 ... 30 VDC
7.7 ... 9 VDC
-25 ... +70 °C*
-25 ... +70 °C*
≤ 200 mA
≤ 1/≥ 2.2 mA**







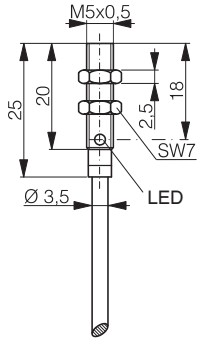
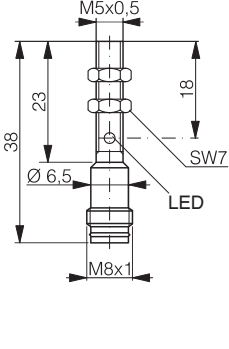
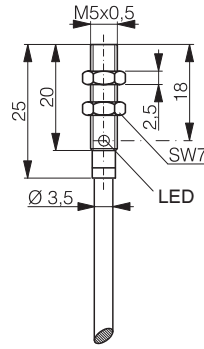
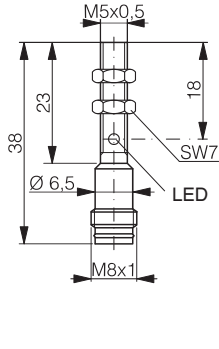
DW-AS-401-M5
DW-AS-402-M5
DW-AS-403-M5
DW-AS-404-M5
DW-AS-405-M5

A ... D

A, B

** damped / non-damped

1	Inductive proximity switches
2	Photoelectric proximity switches
3	Optical fibers
4	Ultrasonic proximity switches
5	Connecting cables
6	Accessories
7	Glossary
8	Index

Housing size	M5		M5	
Operating distance mm	1.5	1.5	2.5	2.5
Housing material	Stainless steel V2A	Stainless steel V2A	Stainless steel V2A	Stainless steel V2A
Connection ¹⁾	PVC cable type 2	Connector S8	PVC cable type 2	Connector S8
Degree of protection	IP 67	IP 67	IP 67	IP 67
Mounting	Embeddable	Embeddable	Embeddable	Embeddable
Max. switching frequency	3,000 Hz	3,000 Hz	800 Hz	800 Hz
Technical data ²⁾	Table 1	Table 1	Table 1	Table 1
Wiring ³⁾	Diagram 1	Diagram 1	Diagram 1	Diagram 1
LED	Built-in	Built-in	Built-in	Built-in
Supply voltage range	10 ... 30 VDC	10 ... 30 VDC	10 ... 30 VDC	10 ... 30 VDC
Ambient temperature range	-25 ... +70 °C*	-25 ... +70 °C*	-25 ... +70 °C*	-25 ... +70 °C*
Output current	≤ 200 mA	≤ 200 mA	≤ 200 mA	≤ 200 mA
¹⁾ Standard cable length 2 m. Non-standard cable lengths and types on request. ²⁾ see page 76 ³⁾ see page 77 ⁴⁾ see page 146				
	increased distance	increased distance	long distance	long distance
Dimensions:				
Part references: (bold : preferred types)				
NPN N.O.	DW-AD-621-M5	DW-AS-621-M5	DW-AD-501-M5***	DW-AS-501-M5***
NPN N.C.	DW-AD-622-M5	DW-AS-622-M5	DW-AD-502-M5***	DW-AS-502-M5***
PNP N.O.	DW-AD-623-M5	DW-AS-623-M5	DW-AD-503-M5	DW-AS-503-M5***
PNP N.C.	DW-AD-624-M5	DW-AS-624-M5	DW-AD-504-M5***	DW-AS-504-M5***
NAMUR				
AC/DC 2-wire N.O.				
AC/DC 2-wire N.C.				
Compatible connectors ⁴⁾		A ... D		A ... D

* -13 ... +158 °F

*** Please check availability