

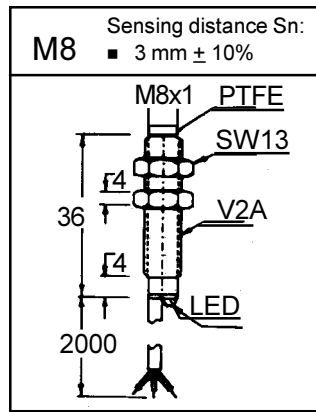
CAPACITIVE SENSORS - LEVEL SERIES



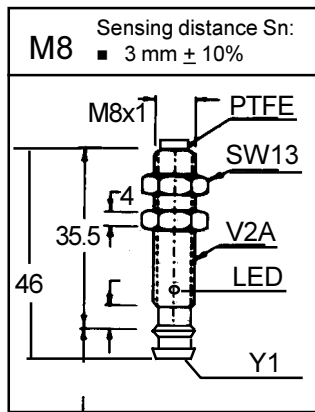
Output Current:
200mA

Max. Switching
Power:
4.8 W

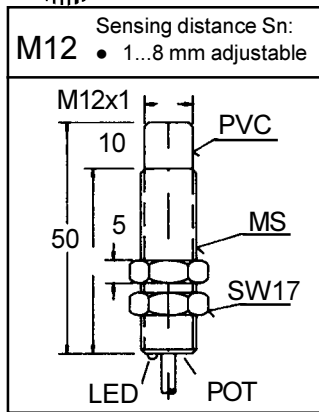
Housing Material:
Cable:



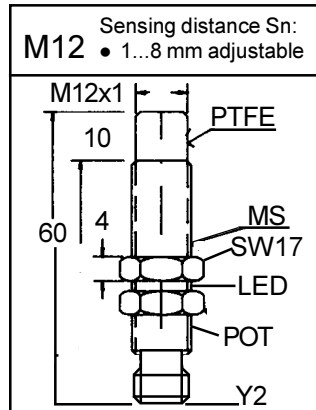
LCC-M8/36-3-NF-P-NO
LCC-M8/36-3-NF-P-NC
LCC-M8/36-3-NF-N-NO
LCC-M8/36-3-NF-N-NC
V2A/PTFE
3 x 0.14 mm² PUR



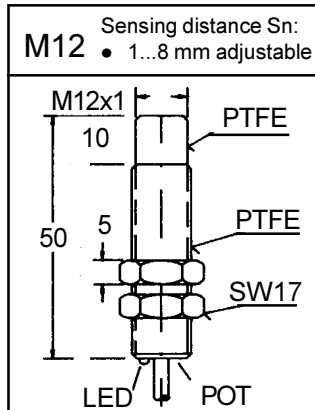
LCC-M8/46-3-NF-P-NO
LCC-M8/46-3-NF-P-NC
LCC-M8/46-3-NF-N-NO
LCC-M8/46-3-NF-N-NC
V2A/PTFE
Connector Z10, Z11



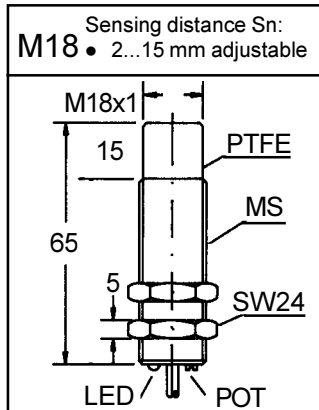
LCC-M12-8-NF-P-NO-MS
LCC-M12-8-NF-P-NC-MS
LCC-M12-8-NF-N-NO-MS
LCC-M12-8-NF-N-NC-MS
MS/PVC
3 x 0.14 mm² PUR



LCCQ-M12-8-NF-P-NO-MS
LCCQ-M12-8-NF-P-NC-MS
LCCQ-M12-8-NF-N-NO-MS
LCCQ-M12-8-NF-N-NC-MS
MS/PTFE
3 x 0.14 mm² PTFE
200mA
4.8W

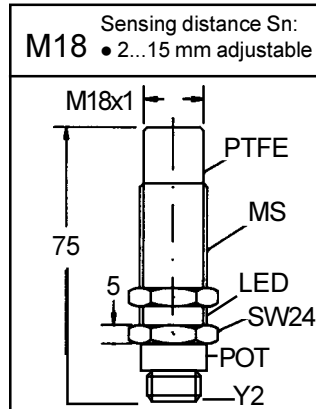


LCC-M12-8-NF-P-NO-PTFE
LCC-M12-8-NF-P-NC-PTFE
LCC-M12-8-NF-N-NO-PTFE
LCC-M12-8-NF-N-NC-PTFE
PTFE
3 x 0.14 mm² PTFE
200mA
4.8 W

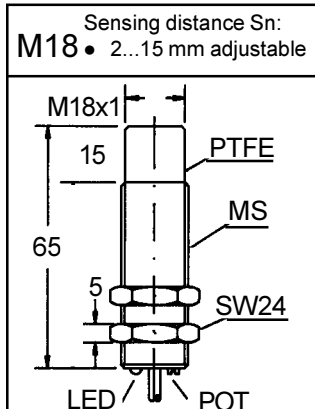


LCC-M18-15-NF-P-NO-MS
LCC-M18-15-NF-P-NC-MS
LCC-M18-15-NF-N-NO-MS
LCC-M18-15-NF-N-NC-MS
MS/PTFE
3 x 0.25 mm² PTFE
300mA
7.2 W

Housing Material:
Cable:
Output Current:
Max. Switching Power:



LCCQ-M18-15-NF-P-NO-MS
LCCQ-M18-15-NF-P-NC-MS
LCCQ-M18-15-NF-N-NO-MS
LCCQ-M18-15-NF-N-NC-MS
MS/PTFE
Connector Z20, Z21



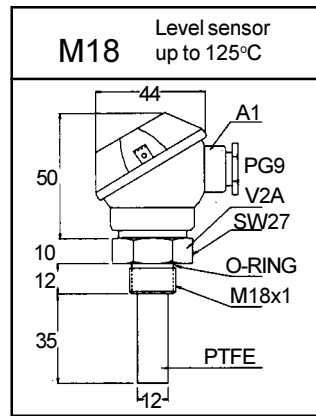
LCC-M18-15-NF-P-NO-PTFE
LCC-M18-15-NF-P-NC-PTFE
LCC-M18-15-NF-N-NO-PTFE
LCC-M18-15-NF-N-NC-PTFE
PTFE
3 x 0.5 mm² PTFE

Output Current:
300mA

Max. Switching
Power:
7.2 W

Housing Material:
Cable:

LEVEL SERIES CAPACITIVE SENSORS



Level sensor
up to 125°C

M18

LCFLS-125HT-M18-P-NO
LCFLS-125HT-M18-P-NC
LCFLS-125HT-M18-N-NO
LCFLS-125HT-M18-N-NC
V2A/PTFE

Housing Material:
Connector or Cable:
Output Current:
Max. Switching Power:

Terminals
NA
NA

Technical Data:

Part Number	LCC Series	LCFLS Series
Switching hysteresis	typ. 10% of Sn	depending on medium
Switching frequency	100 Hz	5 Hz
Switchpoint reprod. (T = const.)	≤ 0.01 mm	depending on medium
Ambient temperature	-30...+70°C	-30...+125°C (LED:...+100°C)
Temperature drift	approx. 0.03 mm/°C	depending on medium
Supply voltage U_B	10...35 VDC	10...35 VDC
Permissible ripple	≤ 10% U_B	≤ 10% U_B
No-load current (24 VDC)	approx. 10 mA	approx. 10 mA
Residual voltage U_A L-signal	approx. 0.8 VDC	approx. 2 VDC
Residual voltage U_A H-signal	approx. U_B VDC	$U_B - 2$ VDC
Short circuit /overload protection	included	included
EMC protective circuit	included	included
Reverse polarity protection	included	included
Protection class DIN 40050	IP 67	terminal compartment IP 67 probe IP 68
Residual current	NA	200mA
LED (no warranty on LED)	NA	externally pluggable
Max. ambient pressure at sensor element	NA	10 bar

PART NUMBER KEY:

Example:

LCC-M18-15-NF-P-NO-PTFE

LCC	Self-contained Capacitive Sensor LCC= cable connect LCCQ= quick disconnect LCFLS = level sensor up to 125°C
M18	Housing diameter (mm) M = thread size
15	Maximum sensing distance (mm)
NF	Mounting NF = Non-Flush F = Flush
P	Output P = PNP output N = NPN output

Note:

Cable is in 2 meter lengths
Output current = Output current I_A maximum

Straight and right angle connectors, cables and a variety of mounting brackets are available for all Locon capacitive sensors.