

Housing size	M8	
Operating distance mm	1.5	
Housing material	Stainless steel V2A	
Connection ¹⁾	PVC cable type 2	
Degree of protection	IP 67	
Mounting	Embeddable	
Max. switching frequency	5,000 Hz	10,000 Hz
Technical data ²⁾	Table 1	Table 5
Wiring ³⁾	Diagram 1	Diagram 4
LED	Built-in	---
Supply voltage range	10 ... 30 VDC	7.7 ... 9 VDC
Ambient temperature range	-25 ... +70 °C*	-25 ... +70 °C*
Output current	≤ 200 mA	≤ 1 / ≥ 2.2 mA**

¹⁾ Standard cable length 2 m.
Non-standard cable lengths
and types on request.
²⁾ see page 76
³⁾ see page 77
⁴⁾ see page 146



Dimensions:		
Part references:	(bold: preferred types)	

NPN N.O.	DW-AD-421-M8	
NPN N.C.	DW-AD-422-M8	
PNP N.O.	DW-AD-423-M8	
PNP N.C.	DW-AD-424-M8	
NAMUR		DW-AD-425-M8
AC/DC 2-wire N.O.		
AC/DC 2-wire N.C.		
Compatible connectors ⁴⁾		

Housing size	M8		
Operating distance mm	1.5	1.5	1.5
Housing material	Stainless steel V2A	Stainless steel V2A	Stainless steel V2A
Connection ¹⁾	PVC cable type 2	PVC cable type 2	PVC cable type 2
Degree of protection	IP 67	IP 67	IP 67
Mounting	Embeddable	Embeddable	Embeddable
Max. switching frequency	5,000 Hz	5,000 Hz	5,000 Hz
Technical data ²⁾	Table 1	Table 1	Table 1
Wiring ³⁾	Diagram 1	Diagram 1	Diagram 1
LED	Built-in	Built-in	Built-in
Supply voltage range	10 ... 30 VDC	10 ... 30 VDC	10 ... 30 VDC
Ambient temperature range	-25 ... +70 °C*	-25 ... +70 °C*	-25 ... +70 °C*
Output current	≤ 200 mA	≤ 200 mA	≤ 200 mA



Dimensions:						
Part references:	(bold: preferred types)					

NPN N.O.	DW-AD-601-M8-121	DW-AD-601-M8-122	DW-AD-601-M8
NPN N.C.	DW-AD-602-M8-121	DW-AD-602-M8-122	DW-AD-602-M8
PNP N.O.	DW-AD-603-M8-121	DW-AD-603-M8-122	DW-AD-603-M8
PNP N.C.	DW-AD-604-M8-121	DW-AD-604-M8-122	DW-AD-604-M8
NAMUR			
AC/DC 2-wire N.O.			
AC/DC 2-wire N.C.			
Compatible connectors ⁴⁾			

* -13 ... +158 °F **damped / non-damped

SERIES 420

M8

1.5

Stainless steel V2A

Connector S8

IP 67

Embeddable

5,000 Hz

10,000 Hz

Table 1

Table 5

Diagram 1

Diagram 4

Built-in

10 ... 30 VDC

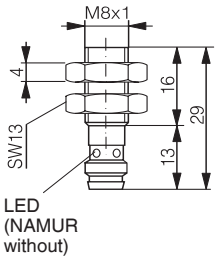
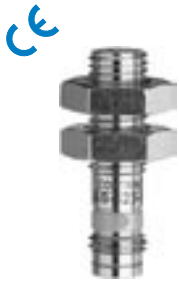
7.7 ... 9 VDC

-25 ... +70 °C*

-25 ... +70 °C*

≤ 200 mA

≤ 1 / ≥ 2.2 mA**



DW-AS-421-M8-001

DW-AS-422-M8-001

DW-AS-423-M8-001

DW-AS-424-M8-001

DW-AS-425-M8-001

A ... D

A, B

* -13 ... +158 °F

**damped / non-damped

SERIES 600

M8

1.5

Stainless steel V2A

Connector S8

IP 67

Embeddable

5,000 Hz

5,000 Hz

Table 1

Table 1

Diagram 1

Diagram 1

Built-in

Built-in

10 ... 30 VDC

10 ... 30 VDC

-25 ... +70 °C*

-25 ... +70 °C*

≤ 200 mA

≤ 200 mA

1.5

Stainless steel V2A

Connector S8

IP 67

Embeddable

5,000 Hz

5,000 Hz

Table 1

Table 1

Diagram 1

Diagram 2

Built-in

Built-in

10 ... 30 VDC

10 ... 30 VDC

-25 ... +70 °C*

-25 ... +70 °C*

≤ 200 mA

≤ 200 mA

1.5

Stainless steel V2A

Connector S12

IP 67

Embeddable

5,000 Hz

Table 1

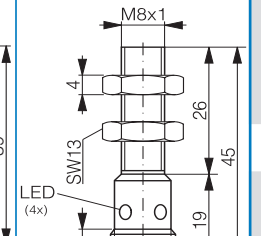
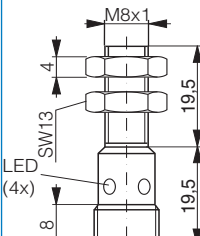
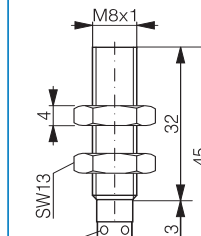
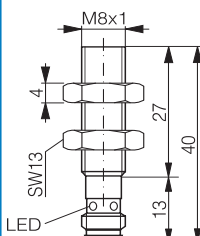
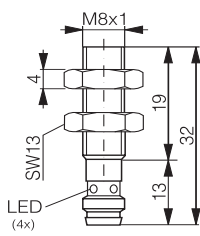
Diagram 2

Built-in

10 ... 30 VDC

-25 ... +70 °C*

≤ 200 mA



DW-AS-601-M8-123

DW-AS-601-M8-124

DW-AS-601-M8-001

DW-AS-601-M8-120

DW-AS-601-M8

DW-AS-602-M8-123

DW-AS-602-M8-124

DW-AS-602-M8-001

DW-AS-602-M8

DW-AS-603-M8-123

DW-AS-603-M8-124

DW-AS-603-M8-001

DW-AS-603-M8-120

DW-AS-603-M8

DW-AS-604-M8-123

DW-AS-604-M8-124

DW-AS-604-M8-001

DW-AS-604-M8

A ... D

A ... D

A ... D

G ... N

G ... N (N.O.); K ... N (N.C.)

1 Inductive proximity switches

2 Photoelectric proximity switches

3 Optical fibers

4 Ultrasonic proximity switches

5 Connecting cables

6 Accessories

7 Glossary

8 Index

M8

Housing size	M8			
Operating distance mm	2	2	2	2
Housing material	Stainless steel V2A	Stainless steel V2A	Stainless steel V2A	Stainless steel V2A
Connection ¹⁾	PVC cable type 2	PVC cable type 2	PVC cable type 2	PVC cable type 2
Degree of protection	IP 67	IP 67	IP 67	IP 67
Mounting	Embeddable	Embeddable	Embeddable	Embeddable
Max. switching frequency	3,000 Hz	3,000 Hz	3,000 Hz	3,000 Hz
Technical data ²⁾	Table 1	Table 1	Table 1	Table 1
Wiring ³⁾	Diagram 1	Diagram 1	Diagram 1	Diagram 1
LED	Built-in	Built-in	Built-in	Built-in
Supply voltage range	10 ... 30 VDC	10 ... 30 VDC	10 ... 30 VDC	10 ... 30 VDC
Ambient temperature range	-25 ... +70 °C*	-25 ... +70 °C*	-25 ... +70 °C*	-25 ... +70 °C*
Output current	≤ 200 mA	≤ 200 mA	≤ 200 mA	≤ 200 mA
¹⁾ Standard cable length 2 m. Non-standard cable lengths and types on request. ²⁾ see page 76 ³⁾ see page 77 ⁴⁾ see page 146				
	increased distance	increased distance	increased distance	increased distance
Dimensions:				
Part references: (bold : preferred types)				
NPN N.O.	DW-AD-621-M8-120	DW-AD-621-M8-121	DW-AD-621-M8-122	DW-AD-621-M8
NPN N.C.	DW-AD-622-M8-120	DW-AD-622-M8-121	DW-AD-622-M8-122	DW-AD-622-M8
PNP N.O.	DW-AD-623-M8-120	DW-AD-623-M8-121	DW-AD-623-M8-122	DW-AD-623-M8
PNP N.C.	DW-AD-624-M8-120	DW-AD-624-M8-121	DW-AD-624-M8-122	DW-AD-624-M8
NAMUR				
AC/DC 2-wire N.O.				
AC/DC 2-wire N.C.				
Compatible connectors ⁴⁾				

* -13 ... +158 °F

SERIES 620

M8

2	2	2	2	2
Stainless steel V2A	Stainless steel V2A	Stainless steel V2A	Stainless steel V2A	Stainless steel V2A
Connector S8	Connector S8	Connector S8	Connector S8	Connector S12
IP 67	IP 67	IP 67	IP 67	IP 67
Embeddable	Embeddable	Embeddable	Embeddable	Embeddable
3,000 Hz	3,000 Hz	3,000 Hz	3,000 Hz	3,000 Hz
Table 1	Table 1	Table 1	Table 1	Table 1
Diagram 1	Diagram 1	Diagram 1	Diagram 1	Diagram 2
Built-in	Built-in	Built-in	Built-in	Built-in
10 ... 30 VDC	10 ... 30 VDC	10 ... 30 VDC	10 ... 30 VDC	10 ... 30 VDC
-25 ... +70 °C*	-25 ... +70 °C*	-25 ... +70 °C*	-25 ... +70 °C*	-25 ... +70 °C*
≤ 200 mA	≤ 200 mA	≤ 200 mA	≤ 200 mA	≤ 200 mA



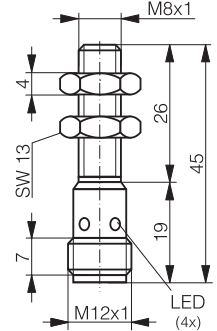
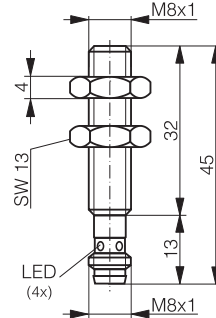
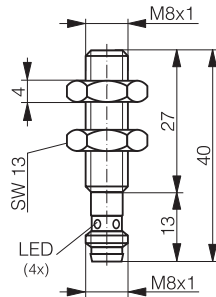
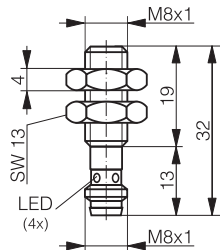
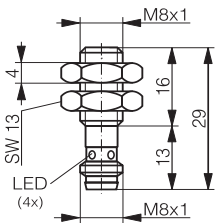
increased distance

increased distance

increased distance

increased distance

increased distance



DW-AS-621-M8-129

DW-AS-621-M8-123

DW-AS-621-M8-124

DW-AS-621-M8-001

DW-AS-621-M8

DW-AS-622-M8-129

DW-AS-622-M8-123

DW-AS-622-M8-124

DW-AS-622-M8-001

DW-AS-622-M8

DW-AS-623-M8-129

DW-AS-623-M8-123

DW-AS-623-M8-124

DW-AS-623-M8-001

DW-AS-623-M8

DW-AS-624-M8-129

DW-AS-624-M8-123

DW-AS-624-M8-124

DW-AS-624-M8-001

DW-AS-624-M8

A ... D

A ... D

A ... D





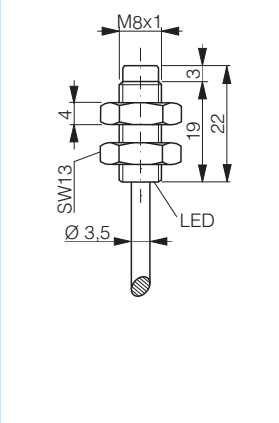
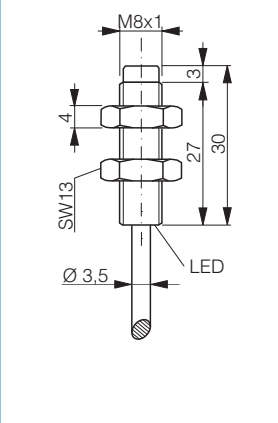
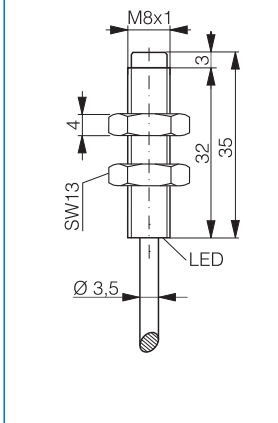
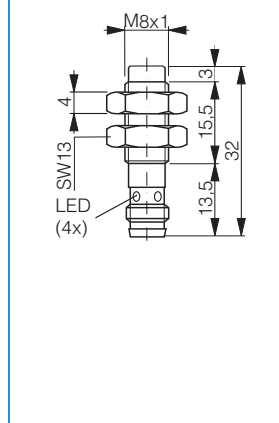
A ... D

G ... N (N.O.); K ... N (N.C.)

* -13 ... +158 °F

M8

Housing size

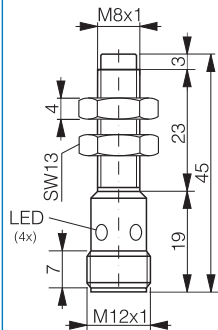
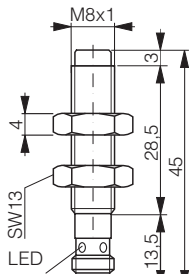
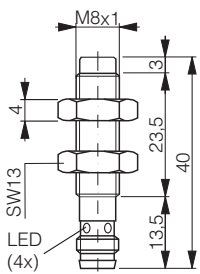
Operating distance mm	2.5	2.5	2.5	2.5
Housing material	Stainless steel V2A	Stainless steel V2A	Stainless steel V2A	Stainless steel V2A
Connection ¹⁾	PVC cable type 2	PVC cable type 2	PVC cable type 2	Connector S8
Degree of protection	IP 67	IP 67	IP 67	IP 67
Mounting	Non-embeddable	Non-embeddable	Non-embeddable	Non-embeddable
Max. switching frequency	3,000 Hz	3,000 Hz	3,000 Hz	3,000 Hz
Technical data ²⁾	Table 1	Table 1	Table 1	Table 1
Wiring ³⁾	Diagram 1	Diagram 1	Diagram 1	Diagram 1
LED	Built-in	Built-in	Built-in	Built-in
Supply voltage range	10 ... 30 VDC	10 ... 30 VDC	10 ... 30 VDC	10 ... 30 VDC
Ambient temperature range	-25 ... +70 °C*	-25 ... +70 °C*	-25 ... +70 °C*	-25 ... +70 °C*
Output current	≤ 200 mA	≤ 200 mA	≤ 200 mA	≤ 200 mA
¹⁾ Standard cable length 2 m. Non-standard cable lengths and types on request. ²⁾ see page 76 ³⁾ see page 77 ⁴⁾ see page 146				
Dimensions:				
Part references: (bold : preferred types)				
NPN N.O.	DW-AD-611-M8-121	DW-AD-611-M8-122	DW-AD-611-M8	DW-AS-611-M8-123
NPN N.C.	DW-AD-612-M8-121	DW-AD-612-M8-122	DW-AD-612-M8	DW-AS-612-M8-123
PNP N.O.	DW-AD-613-M8-121	DW-AD-613-M8-122	DW-AD-613-M8	DW-AS-613-M8-123
PNP N.C.	DW-AD-614-M8-121	DW-AD-614-M8-122	DW-AD-614-M8	DW-AS-614-M8-123
NAMUR				
AC/DC 2-wire N.O.				
AC/DC 2-wire N.C.				
Compatible connectors ⁴⁾				A ... D

* -13 ... +158 °F

SERIES 600

M8

2.5	2.5	2.5
Stainless steel V2A	Stainless steel V2A	Stainless steel V2A
Connector S8	Connector S8	Connector S12
IP 67	IP 67	IP 67
Non-embeddable	Non-embeddable	Non-embeddable
3,000 Hz	3,000 Hz	3,000 Hz
Table 1	Table 1	Table 1
Diagram 1	Diagram 1	Diagram 2
Built-in	Built-in	Built-in
10 ... 30 VDC	10 ... 30 VDC	10 ... 30 VDC
-25 ... +70 °C*	-25 ... +70 °C*	-25 ... +70 °C*
≤ 200 mA	≤ 200 mA	≤ 200 mA



DW-AS-611-M8-124	DW-AS-611-M8-001	DW-AS-611-M8
DW-AS-612-M8-124	DW-AS-612-M8-001	DW-AS-612-M8
DW-AS-613-M8-124	DW-AS-613-M8-001	DW-AS-613-M8
DW-AS-614-M8-124	DW-AS-614-M8-001	DW-AS-614-M8

A ... D A ... D G ... N (N.O.); K ... N (N.C.)

* -13 ... +158 °F

SERIES 500

M8

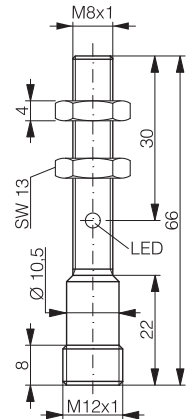
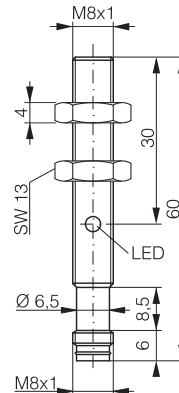
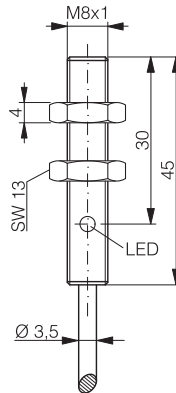
3	3	3
Chrome-plated brass	Chrome-plated brass	Chrome-plated brass
PVC cable type 2	Connector S8	Connector S12
IP 67	IP 67	IP 67
Quasi-embeddable	Quasi-embeddable	Quasi-embeddable
1,000 Hz	1,000 Hz	1,000 Hz
Table 1	Table 1	Table 1
Diagram 1	Diagram 1	Diagram 2
Built-in	Built-in	Built-in
10 ... 30 VDC	10 ... 30 VDC	10 ... 30 VDC
-25 ... +70 °C*	-25 ... +70 °C*	-25 ... +70 °C*
≤ 200 mA	≤ 200 mA	≤ 200 mA



long distance

long distance

long distance





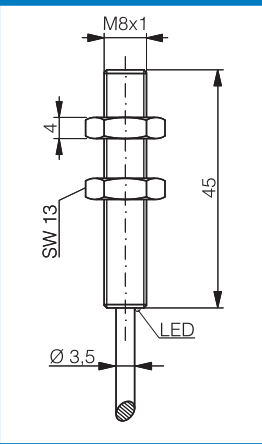
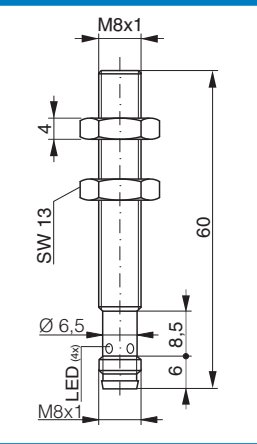
DW-AD-501-M8	DW-AS-501-M8-001	DW-AS-501-M8
DW-AD-502-M8	DW-AS-502-M8-001	DW-AS-502-M8
DW-AD-503-M8	DW-AS-503-M8-001	DW-AS-503-M8
DW-AD-504-M8	DW-AS-504-M8-001	DW-AS-504-M8



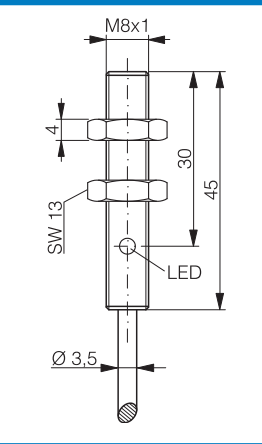
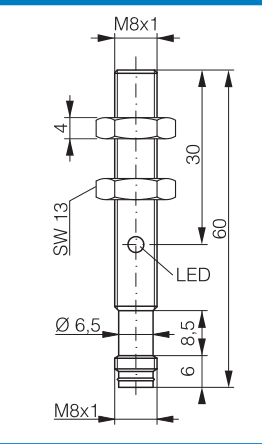
A ... D G ... N (N.O.); K ... N (N.C.)

- 1 Inductive proximity switches
- 2 Photoelectric proximity switches
- 3 Optical fibers
- 4 Ultrasonic proximity switches
- 5 Connecting cables
- 6 Accessories
- 7
- 8 Glossary
- Index

M8

M8

Housing size		
Operating distance mm	3	3
Housing material	Stainless steel V2A	Stainless steel V2A
Connection ¹⁾	PUR cable type 3	Connector S8
Degree of protection	IP 68	IP 67
Mounting	Embeddable	Embeddable
Max. switching frequency	500 Hz	500 Hz
Technical data ²⁾	Table 1	Table 1
Wiring ³⁾	Diagram 1	Diagram 1
LED	Built-in	Built-in
Supply voltage range	10 ... 30 VDC	10 ... 30 VDC
Ambient temperature range	-25 ... +70 °C*	-25 ... +70 °C*
Output current	≤ 200 mA	≤ 200 mA
¹⁾ Standard cable length 2 m. Non-standard cable lengths and types on request. ²⁾ see page 76 ³⁾ see page 77 ⁴⁾ see page 146		
	<p style="text-align: center;">all-metal</p> 	<p style="text-align: center;">all-metal</p> 
Dimensions:		
Part references: (bold : preferred types)		
NPN N.O.	DW-AD-701-M8**	DW-AS-701-M8-001**
NPN N.C.	DW-AD-702-M8**	DW-AS-702-M8-001**
PNP N.O.	DW-AD-703-M8	DW-AS-703-M8-001
PNP N.C.	DW-AD-704-M8**	DW-AS-704-M8-001**
NAMUR		
AC/DC 2-wire N.O.		
AC/DC 2-wire N.C.		
Compatible connectors ⁴⁾		A ... D

Operating distance mm	4	4
Housing material	Chrome-plated brass	Chrome-plated brass
Connection ¹⁾	PVC cable type 2	Connector S8
Degree of protection	IP 67	IP 67
Mounting	Quasi-embeddable	Quasi-embeddable
Max. switching frequency	500 Hz	500 Hz
Technical data ²⁾	Table 1	Table 1
Wiring ³⁾	Diagram 1	Diagram 1
LED	Built-in	Built-in
Supply voltage range	10 ... 30 VDC	10 ... 30 VDC
Ambient temperature range	-25 ... +70 °C*	-25 ... +70 °C*
Output current	≤ 200 mA	≤ 200 mA
¹⁾ Standard cable length 2 m. Non-standard cable lengths and types on request. ²⁾ see page 76 ³⁾ see page 77 ⁴⁾ see page 146		
	<p style="text-align: center;">4 x distance</p> 	<p style="text-align: center;">4 x distance</p> 
Dimensions:		
Part references: (bold : preferred types)		
NPN N.O.	DW-AD-521-M8	DW-AS-521-M8-001
NPN N.C.	DW-AD-522-M8	DW-AS-522-M8-001
PNP N.O.	DW-AD-523-M8	DW-AS-523-M8-001
PNP N.C.	DW-AD-524-M8	DW-AS-524-M8-001
NAMUR		
AC/DC 2-wire N.O.		
AC/DC 2-wire N.C.		
Compatible connectors ⁴⁾		A ... D

* -13 ... +158 °F **Please check availability

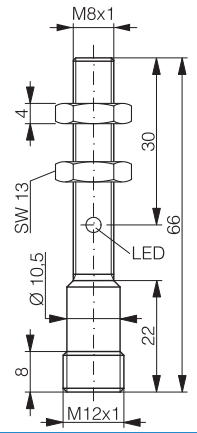
SERIES 620

M8

4	4	4
Chrome-plated brass	Stainless steel V2A	Stainless steel V2A
Connector S12	PVC cable type 2	Connector S8
IP 67	IP 67	IP 67
Quasi-embeddable	Non-embeddable	Non-embeddable
500 Hz	2,500 Hz	2,500 Hz
Table 1	Table 1	Table 1
Diagram 2	Diagram 1	Diagram 1
Built-in	Built-in	Built-in
10 ... 30 VDC	10 ... 30 VDC	10 ... 30 VDC
-25 ... +70 °C*	-25 ... +70 °C*	-25 ... +70 °C*
≤ 200 mA	≤ 200 mA	≤ 200 mA



4 x distance

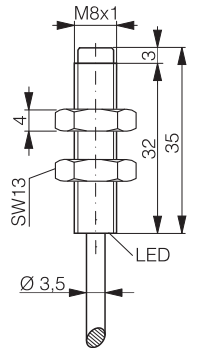


- DW-AS-521-M8
- DW-AS-522-M8
- DW-AS-523-M8
- DW-AS-524-M8

G ... N (N.O.); K...N (N.C.)
 * -13 ... +158 °F



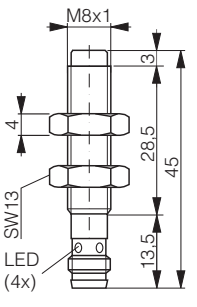
increased distance



- DW-AD-631-M8
- DW-AD-632-M8
- DW-AD-633-M8
- DW-AD-634-M8



increased distance



- DW-AS-631-M8-001
- DW-AS-632-M8-001
- DW-AS-633-M8-001
- DW-AS-634-M8-001

A ... D

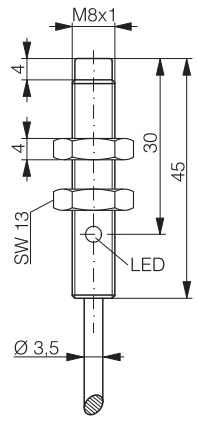
SERIES 500

M8

6	6	6
Chrome-plated brass	Chrome-plated brass	Chrome-plated brass
PVC cable type 2	Connector S8	Connector S12
IP 67	IP 67	IP 67
Non-embeddable	Non-embeddable	Non-embeddable
500 Hz	500 Hz	500 Hz
Table 1	Table 1	Table 1
Diagram 1	Diagram 1	Diagram 2
Built-in	Built-in	Built-in
10 ... 30 VDC	10 ... 30 VDC	10 ... 30 VDC
-25 ... +70 °C*	-25 ... +70 °C*	-25 ... +70 °C*
≤ 200 mA	≤ 200 mA	≤ 200 mA



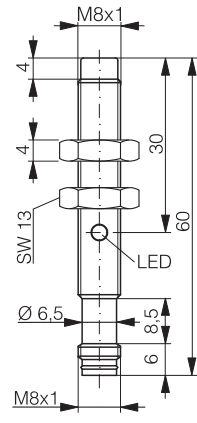
long distance



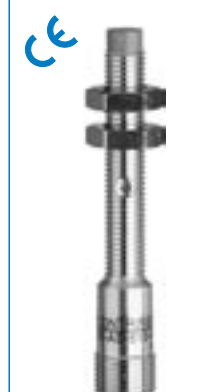
- DW-AD-511-M8
- DW-AD-512-M8
- DW-AD-513-M8
- DW-AD-514-M8



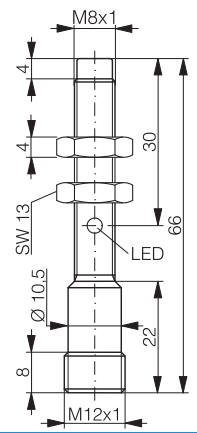
long distance



- DW-AS-511-M8-001
- DW-AS-512-M8-001
- DW-AS-513-M8-001
- DW-AS-514-M8-001





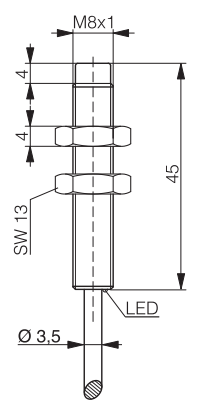
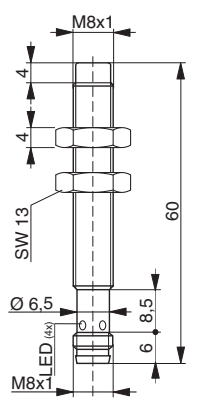
long distance


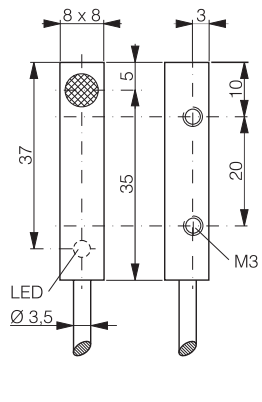


- DW-AS-511-M8
- DW-AS-512-M8
- DW-AS-513-M8
- DW-AS-514-M8

A ... D

G ... N (N.O.); K ... N (N.C.)

Housing size	M8	
Operating distance mm	6	6
Housing material	Stainless steel V2A	Stainless steel V2A
Connection ¹⁾	PUR cable type 3	Connector S8
Degree of protection	IP 68	IP 67
Mounting	Non-embeddable	Non-embeddable
Max. switching frequency	500 Hz	500 Hz
Technical data ²⁾	Table 1	Table 1
Wiring ³⁾	Diagram 1	Diagram 1
LED	Built-in	Built-in
Supply voltage range	10 ... 30 VDC	10 ... 30 VDC
Ambient temperature range	-25 ... +70 °C*	-25 ... +70 °C*
Output current	≤ 200 mA	≤ 200 mA
¹⁾ Standard cable length 2 m. Non-standard cable lengths and types on request. ²⁾ see page 76 ³⁾ see page 77 ⁴⁾ see page 146	 <p>850 psi</p>	 <p>850 psi</p>
	all-metal	
Dimensions:		
Part references: (bold : preferred types)		
NPN N.O.	DW-AD-711-M8**	DW-AS-711-M8-001**
NPN N.C.	DW-AD-712-M8**	DW-AS-712-M8-001**
PNP N.O.	DW-AD-713-M8**	DW-AS-713-M8-001**
PNP N.C.	DW-AD-714-M8**	DW-AS-714-M8-001**
NAMUR		
AC/DC 2-wire N.O.		
AC/DC 2-wire N.C.		
Compatible connectors ⁴⁾		A ... D

Housing size	□8x8
Operating distance mm	1.5
Housing material	Nickel-plated brass
Connection	PVC cable type 2
Degree of protection	IP 67
Mounting	Embeddable
Max. switching frequency	5,000 Hz
Technical data	Table 1
Wiring	Diagram 1
LED	Built-in
Supply voltage range	10 ... 30 VDC
Ambient temperature range	-25 ... +70 °C*
Output current	≤ 200 mA
¹⁾ Standard cable length 2 m. Non-standard cable lengths and types on request. ²⁾ see page 76 ³⁾ see page 77 ⁴⁾ see page 146	
	
Part references:	
NPN N.O.	DW-AD-601-C8
NPN N.C.	DW-AD-602-C8
PNP N.O.	DW-AD-603-C8
PNP N.C.	DW-AD-604-C8
NAMUR	
AC/DC 2-wire N.O.	
AC/DC 2-wire N.C.	
Compatible connectors ⁴⁾	

* -13 ... +158 °F **Please check availability