

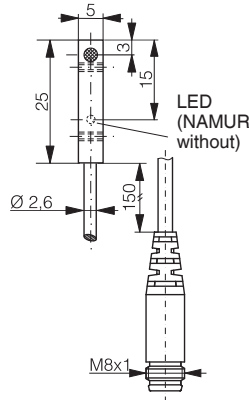
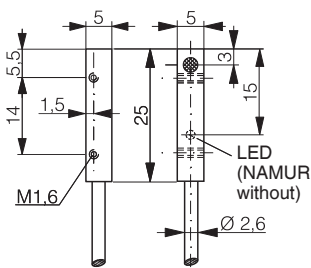
SERIES 400

□ 5x5

0.8

0.8

Nickel-chrome-plated brass		Nickel-chrome-plated brass	
PUR cable type 1		PUR cable type 1 / Connector S8	
IP 67		IP 67	
Embeddable		Embeddable	
5,000 Hz	10,000 Hz	5,000 Hz	10,000 Hz
Table 1	Table 5	Table 1	Table 5
Diagram 1	Diagram 4	Diagram 1	Diagram 4
Built-in	---	Built-in	---
10 ... 30 VDC	7.7 ... 9 VDC	10 ... 30 VDC	7.7 ... 9 VDC
-25 ... +70 °C*	-25 ... +70 °C*	-25 ... +70 °C*	-25 ... +70 °C*
≤ 200 mA	≤ 1 / ≥ 2.2 mA**	≤ 200 mA	≤ 1 / ≥ 2.2 mA**



DW-AD-401-C5		DW-AS-401-C5	
DW-AD-402-C5		DW-AS-402-C5	
DW-AD-403-C5		DW-AS-403-C5	
DW-AD-404-C5		DW-AS-404-C5	
	DW-AD-405-C5		DW-AS-405-C5
		A ... D	A, B

* -13 ... +158 °F **damped / non-damped

For all these products, you will find detailed data sheets, application notes, dimensional drawings, cross-reference lists, part references, new items, special executions, extensive additional technical information, specifications concerning quality, safety and standards, as well as the addresses of our agents, and much more besides, on our Internet website at www.contrinex.com. The website contents are constantly up-dated and extended.

SERIES 620

□ 5x5

1.5

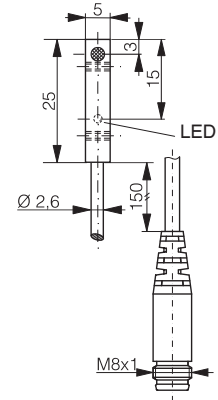
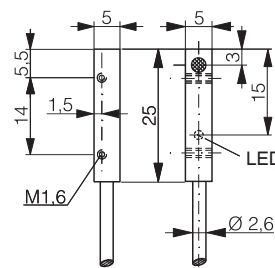
1.5

Nickel-chrome-plated brass		Nickel-chrome-plated brass	
PUR cable type 1		PUR cable type 1 / Connec. S8	
IP 67		IP 67	
Embeddable		Embeddable	
3,000 Hz	3,000 Hz		
Table 1	Table 1		
Diagram 1	Diagram 1		
Built-in	Built-in		
10 ... 30 VDC	10 ... 30 VDC		
-25 ... +70 °C*	-25 ... +70 °C*		
≤ 200 mA	≤ 200 mA		



increased distance

increased distance



DW-AD-621-C5		DW-AS-621-C5	
DW-AD-622-C5		DW-AS-622-C5	
DW-AD-623-C5		DW-AS-623-C5	
DW-AD-624-C5		DW-AS-624-C5	
		A ... D	

1 Inductive proximity switches

2 Photoelectric proximity switches

3 Optical fibers



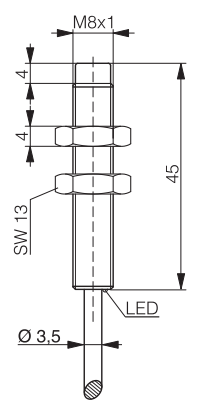
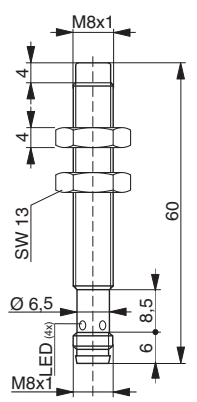
4 Ultrasonic proximity switches

5 Connecting cables


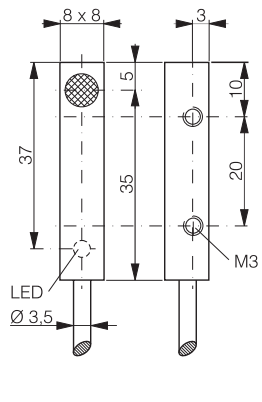
6 Accessories

7 Glossary

8 Index

Housing size	M8	
Operating distance mm	6	6
Housing material	Stainless steel V2A	Stainless steel V2A
Connection ¹⁾	PUR cable type 3	Connector S8
Degree of protection	IP 68	IP 67
Mounting	Non-embeddable	Non-embeddable
Max. switching frequency	500 Hz	500 Hz
Technical data ²⁾	Table 1	Table 1
Wiring ³⁾	Diagram 1	Diagram 1
LED	Built-in	Built-in
Supply voltage range	10 ... 30 VDC	10 ... 30 VDC
Ambient temperature range	-25 ... +70 °C*	-25 ... +70 °C*
Output current	≤ 200 mA	≤ 200 mA
¹⁾ Standard cable length 2 m. Non-standard cable lengths and types on request. ²⁾ see page 76 ³⁾ see page 77 ⁴⁾ see page 146		
	all-metal	all-metal
Dimensions:		
Part references: (bold : preferred types)		
NPN N.O.	DW-AD-711-M8**	DW-AS-711-M8-001**
NPN N.C.	DW-AD-712-M8**	DW-AS-712-M8-001**
PNP N.O.	DW-AD-713-M8**	DW-AS-713-M8-001**
PNP N.C.	DW-AD-714-M8**	DW-AS-714-M8-001**
NAMUR		
AC/DC 2-wire N.O.		
AC/DC 2-wire N.C.		
Compatible connectors ⁴⁾		A ... D

* -13 ... +158 °F **Please check availability

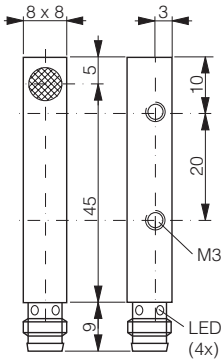
Housing size	□8x8
Operating distance mm	1.5
Housing material	Nickel-plated brass
Connection	PVC cable type 2
Degree of protection	IP 67
Mounting	Embeddable
Max. switching frequency	5,000 Hz
Technical data	Table 1
Wiring	Diagram 1
LED	Built-in
Supply voltage range	10 ... 30 VDC
Ambient temperature range	-25 ... +70 °C*
Output current	≤ 200 mA
¹⁾ Standard cable length 2 m. Non-standard cable lengths and types on request. ²⁾ see page 76 ³⁾ see page 77 ⁴⁾ see page 146	
	
Part references:	
NPN N.O.	DW-AD-601-C8
NPN N.C.	DW-AD-602-C8
PNP N.O.	DW-AD-603-C8
PNP N.C.	DW-AD-604-C8
NAMUR	
AC/DC 2-wire N.O.	
AC/DC 2-wire N.C.	
Compatible connectors ⁴⁾	

600

□ 8x8

1.5

Nickel-plated brass
Connector S8
IP 67
Embeddable
5,000 Hz
Table 1
Diagram 1
Built-in
10 ... 30 VDC
-25 ... +70 °C*
≤ 200 mA



DW-AS-601-C8-001
DW-AS-602-C8-001
DW-AS-603-C8-001
DW-AS-604-C8-001

A ... D

SERIES 620

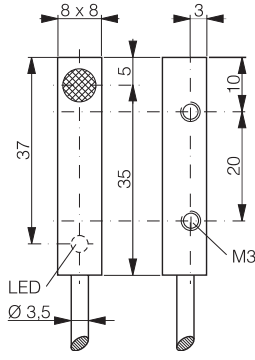
□ 8x8

2

Chrome-plated brass
PVC cable type 2
IP 67
Embeddable
3,000 Hz
Table 1
Diagram 1
Built-in
10 ... 30 VDC
-25 ... +70 °C*
≤ 200 mA



increased distance



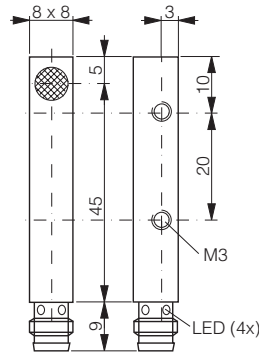
DW-AD-621-C8
DW-AD-622-C8
DW-AD-623-C8
DW-AD-624-C8

2

Chrome-plated brass
Connector S8
IP 67
Embeddable
3,000 Hz
Table 1
Diagram 1
Built-in
10 ... 30 VDC
-25 ... +70 °C*
≤ 200 mA



increased distance



DW-AS-621-C8-001
DW-AS-622-C8-001
DW-AS-623-C8-001
DW-AS-624-C8-001

A ... D

SERIES 500

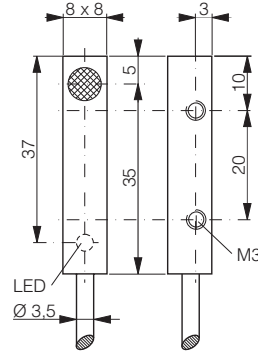
□ 8x8

3

Chrome-plated brass
PVC cable type 2
IP 67
Quasi-embeddable
1,000 Hz
Table 1
Diagram 1
Built-in
10 ... 30 VDC
-25 ... +70 °C*
≤ 200 mA



long distance



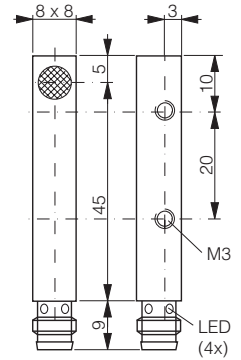
DW-AD-501-C8
DW-AD-502-C8
DW-AD-503-C8
DW-AD-504-C8

3

Chrome-plated brass
Connector S8
IP 67
Quasi-embeddable
1,000 Hz
Table 1
Diagram 1
Built-in
10 ... 30 VDC
-25 ... +70 °C*
≤ 200 mA



long distance



DW-AS-501-C8
DW-AS-502-C8
DW-AS-503-C8
DW-AS-504-C8

A ... D

* -13 ... +158 °F

For all these products, you will find detailed data sheets, application notes, dimensional drawings, cross-reference lists, part references, new items, special executions, extensive additional technical information, specifications concerning quality, safety and standards, as well as the addresses of our agents, and much more besides, on our Internet website at www.contrinex.com. The website contents are constantly up-dated and extended.

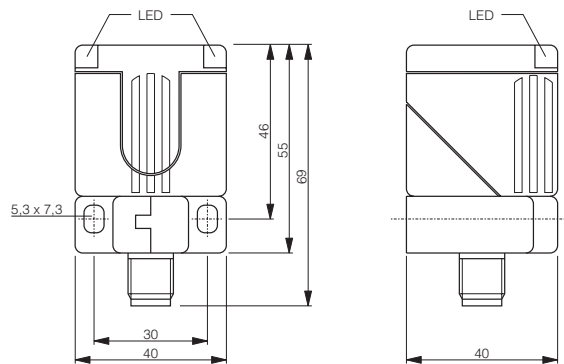
□ 40x40

Housing size	□ 40x40		
Operating distance mm	15	15	20
Housing material	PBTP	PBTP	PBTP
Connection ¹⁾	Connector S12	Connector S12	Connector S12
Degree of protection	IP 67	IP 67	IP 67
Mounting	Embeddable	Embeddable	Embeddable
Max. switching frequency	50 Hz	25 Hz (AC) / 50 Hz (DC)	30 Hz
Technical data ²⁾	Table 8	Table 9	Table 8
Wiring ³⁾	Diagram 6	Diagram 3	Diagram 6
LED	Built-in	Built-in	Built-in
Supply voltage range	15 ... 34 VDC	20 ... 265 VAC / 20 ... 320 VDC	15 ... 34 VDC
Ambient temperature range	-25 ... +85 °C*	-25 ... +85 °C*	-25 ... +85 °C*
Output current	≤ 200 mA / ≤ 150 mA**	≤ 300 mA	≤ 200 mA / ≤ 150 mA**

¹⁾ Standard cable length 2 m.
Non-standard cable lengths
and types on request.
²⁾ see page 76
³⁾ see page 77
⁴⁾ see page 146



Dimensions:



Sensing face can be rotated to 5 different sides.

Part references:

(**bold**: preferred types)

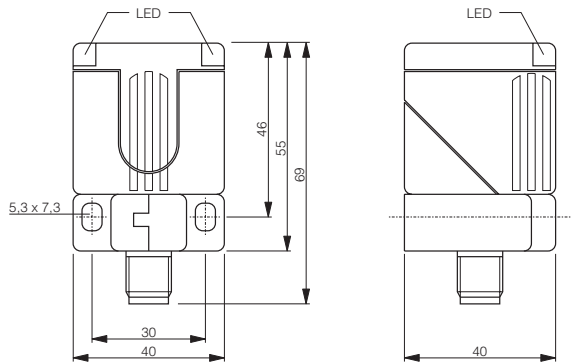
NPN N.O. + N.C.	DW-AS-601-C44		DW-AS-601-C44-304
PNP N.O. + N.C.	DW-AS-603-C44		DW-AS-603-C44-304
DC 2-wire N.O.			
AC/DC 2-wire N.O.		DW-AS-607-C44	
AC/DC 2-wire N.C.			
Compatible connectors ⁴⁾	M, N	G ... N	M, N

* -13 ... +185 °F ** 50 °C / 85 °C (122 °F / 185 °F)

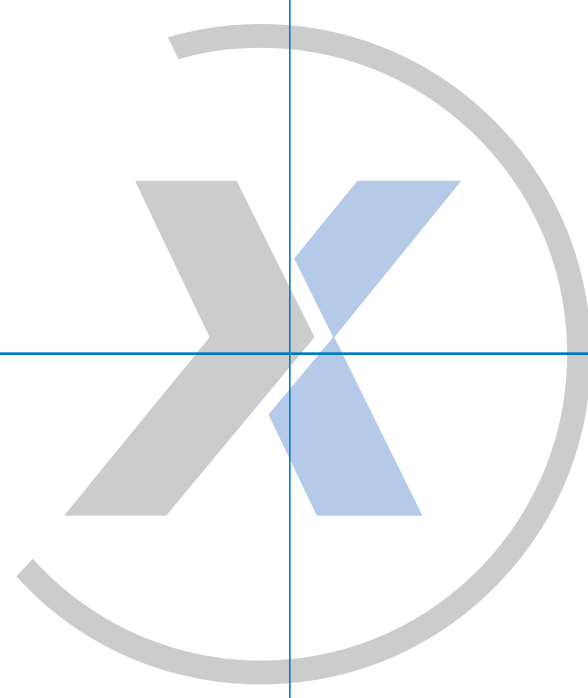
SERIES 600

□ 40x40

35	35		
PBTP	PBTP		
Connector S12	Connector S12		
IP 67	IP 67		
Non-embeddable	Non-embeddable		
30 Hz	25 Hz (AC) / 30 Hz (DC)		
Table 8	Table 9		
Diagram 6	Diagram 3		
Built-in	Built-in		
15 ... 34 VDC	20 ... 265 VAC / 20 ... 320 VDC		
-25 ... +85 °C*	-25 ... +85 °C*		
≤ 200 mA / ≤ 150 mA**	≤ 300 mA		



Sensing face can be rotated to 5 different sides.



DW-AS-611-C44			
DW-AS-613-C44			
	DW-AS-617-C44		
M, N	G ... N		

* -13 ... +185 °F ** 50 °C / 85 °C (122 °F / 185 °F)

For all these products, you will find detailed data sheets, application notes, dimensional drawings, cross-reference lists, part references, new items, special executions, extensive additional technical information, specifications concerning quality, safety and standards, as well as the addresses of our agents, and much more besides, on our Internet website at www.contrinex.com. The website contents are constantly up-dated and extended.

- 1 Inductive proximity switches
- 2 Photoelectric proximity switches
- 3 Optical fibers
- 4 Ultrasonic proximity switches
- 5 Connecting cables
- 6 Accessories
- 7 Glossary
- 8 Index

□ 40x120

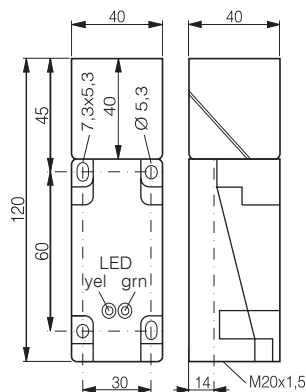
Housing size

Operating distance mm	15	15	40
Housing material	PBTP	PBTP	PBTP
Connection ¹⁾	Screw terminal	Screw terminal	Screw terminal
Degree of protection	IP 65	IP 65	IP 65
Mounting	Embeddable	Embeddable	Non-embeddable
Max. switching frequency	100 Hz	25 Hz (AC) / 150 Hz (DC)	20 Hz
Technical data ²⁾	Table 2	Table 4	Table 3
Wiring ³⁾	Diagram 2	Diagram 3	Diagram 2
LED	Built-in	Built-in	Built-in
Supply voltage range	15 ... 34 VDC	20 ... 265 VAC / 20 ... 320 VDC	10 ... 65 VDC
Ambient temperature range	-25 ... +85 °C*	-25 ... +85 °C*	-25 ... +85 °C*
Output current	≤ 200 mA / ≤ 150 mA**	≤ 300 mA	≤ 300 mA

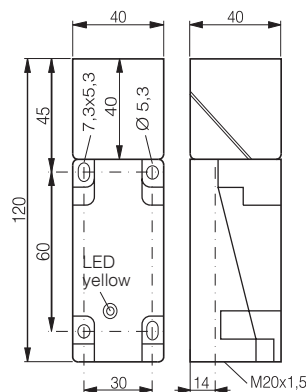
¹⁾ Standard cable length 2 m.
Non-standard cable lengths
and types on request.
²⁾ see page 76
³⁾ see page 77
⁴⁾ see page 146



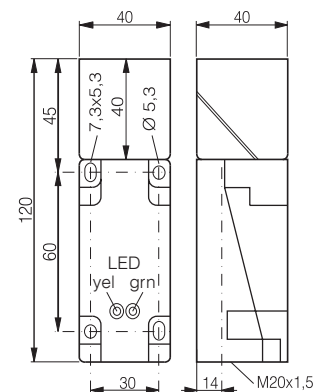
Dimensions:



Sensing face can be rotated to 5 different sides.



Sensing face can be rotated to 5 different sides.



Sensing face can be rotated to 5 different sides.

Part references:

(**bold**: preferred types)

NPN N.O.	DW-AD-601-C40	
NPN N.C.		
PNP N.O.	DW-AD-603-C40	DW-AD-613-C40 ***
PNP N.C.		
DC 2-wire N.O.		
AC/DC 2-wire N.O.		DW-AD-607-C40 ***
AC/DC 2-wire N.C.		
Compatible connectors ⁴⁾		

* -13 ... +185 °F ** 50 °C / 85 °C (122 °F / 185 °F) *** N.O. / N.C. switchable

SERIES 600

□ 60x80

□ 80x100

50

65

PBTP

PBTP

Screw terminal

Screw terminal

IP 65

IP 65

Non-embeddable

Non-embeddable

20 Hz

10 Hz

Table 3

Table 3

Diagram 2

Diagram 2

Built-in

Built-in

10 ... 65 VDC

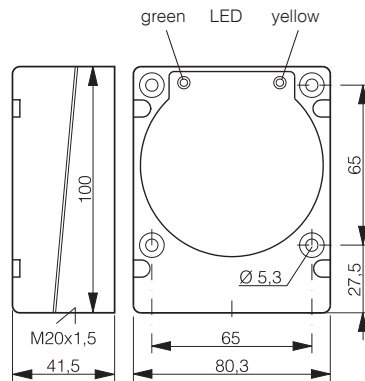
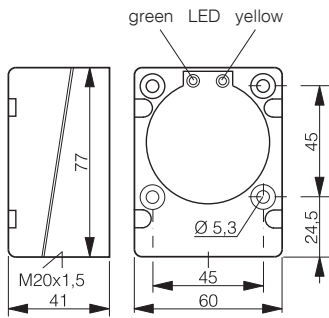
10 ... 65 VDC

-25 ... +85 °C*

-25 ... +85 °C*

≤ 300 mA

≤ 300 mA



DW-AD-613-C60 ***

DW-AD-613-C80 ***

*** N.O. / N.C. switchable

For all these products, you will find detailed data sheets, application notes, dimensional drawings, cross-reference lists, part references, new items, special executions, extensive additional technical information, specifications concerning quality, safety and standards, as well as the addresses of our agents, and much more besides, on our Internet website at www.contrinex.com. The website contents are constantly up-dated and extended.

1 Inductive proximity switches

2 Photoelectric proximity switches

3 Optical fibers

4 Ultrasonic proximity switches

5 Connecting cables

6 Accessories

7 Glossary

8 Index