

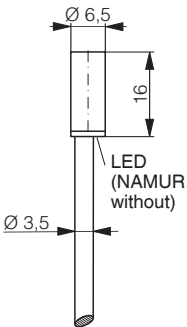
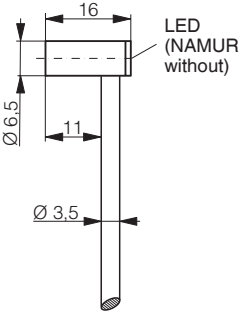
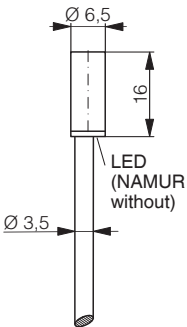
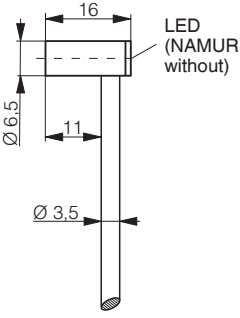

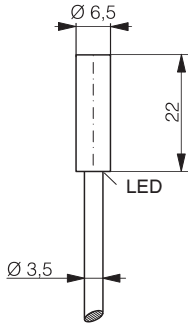


Ø 6.5

Ø 6.5

Housing size	Ø 6.5			
Operating distance mm	<b>1.5</b>		<b>1.5</b>	
Housing material	Stainless steel V2A		Stainless steel V2A	
Connection <sup>1)</sup>	PVC cable type 2		PVC cable type 2	
Degree of protection	IP 67		IP 67	
Mounting	Embeddable		Embeddable	
Max. switching frequency	5,000 Hz	10,000 Hz	5,000 Hz	10,000 Hz
Technical data <sup>2)</sup>	Table 1	Table 5	Table 1	Table 5
Wiring <sup>3)</sup>	Diagram 1	Diagram 4	Diagram 1	Diagram 4
LED	Built-in	---	Built-in	---
Supply voltage range	10 ... 30 VDC	7.7 ... 9 VDC	10 ... 30 VDC	7.7 ... 9 VDC
Ambient temperature range	-25 ... +70 °C*	-25 ... +70 °C*	-25 ... +70 °C*	-25 ... +70 °C*
Output current	≤ 200 mA	≤ 1 / ≥ 2.2 mA**	≤ 200 mA	≤ 1 / ≥ 2.2 mA**
<sup>1)</sup> Standard cable length 2 m. Non-standard cable lengths and types on request. <sup>2)</sup> see page 76 <sup>3)</sup> see page 77 <sup>4)</sup> see page 146				
				
Dimensions:				
Part references: ( <b>bold</b> : preferred types)				
NPN N.O.	<b>DW-AD-421-065</b>		<b>DW-AD-421-065-400</b>	
NPN N.C.	DW-AD-422-065		DW-AD-422-065-400	
PNP N.O.	<b>DW-AD-423-065</b>		<b>DW-AD-423-065-400</b>	
PNP N.C.	DW-AD-424-065		DW-AD-424-065-400	
NAMUR		<b>DW-AD-425-065</b>		DW-AD-425-065-400
AC/DC 2-wire N.O.				
AC/DC 2-wire N.C.				
Compatible connectors <sup>4)</sup>				

Housing size	Ø 6.5
Operating distance mm	<b>1.5</b>
Housing material	Stainless steel V2A
Connection <sup>1)</sup>	PVC cable type 2
Degree of protection	IP 67
Mounting	Embeddable
Max. switching frequency	5,000 Hz
Technical data <sup>2)</sup>	Table 1
Wiring <sup>3)</sup>	Diagram 1
LED	Built-in
Supply voltage range	10 ... 30 VDC
Ambient temperature range	-25 ... +70 °C*
Output current	≤ 200 mA
<sup>1)</sup> Standard cable length 2 m. Non-standard cable lengths and types on request. <sup>2)</sup> see page 76 <sup>3)</sup> see page 77 <sup>4)</sup> see page 146	
	
Part references: ( <b>bold</b> : preferred types)	
NPN N.O.	<b>DW-AD-601-065-121</b>
NPN N.C.	DW-AD-602-065-121
PNP N.O.	<b>DW-AD-603-065-121</b>
PNP N.C.	DW-AD-604-065-121
AC/DC 2-wire N.O.	
AC/DC 2-wire N.C.	
Compatible connectors <sup>4)</sup>	

\* -13 ... +158 °F    \*\*damped / non-damped

# SERIES 600

Ø 6.5

1.5

1.5

Stainless steel V2A

Stainless steel V2A

PVC cable type 2

PVC cable type 2

IP 67

IP 67

Embeddable

Embeddable

5,000 Hz

5,000 Hz

Table 1

Table 1

Diagram 1

Diagram 1

Built-in

Built-in

10 ... 30 VDC

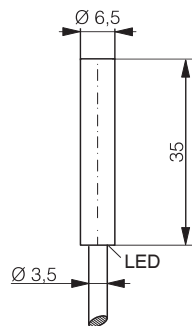
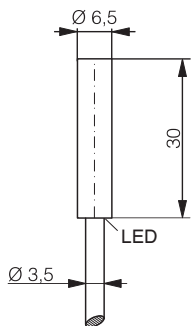
10 ... 30 VDC

-25 ... +70 °C\*

-25 ... +70 °C\*

≤ 200 mA

≤ 200 mA



DW-AD-601-065-122

DW-AD-601-065

DW-AD-602-065-122

DW-AD-602-065

DW-AD-603-065-122

DW-AD-603-065

DW-AD-604-065-122

DW-AD-604-065

# SERIES 420

Ø 6.5

1.5

Stainless steel V2A

Connector S8

IP 67

Embeddable

5,000 Hz

10,000 Hz

Table 1

Table 5

Diagram 1

Diagram 4

Built-in

---

10 ... 30 VDC

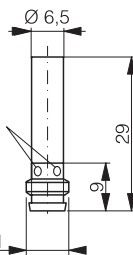
7.7 ... 9 VDC

-25 ... +70 °C\*

-25 ... +70 °C\*

≤ 200 mA

≤ 1 / ≥ 2.2 mA\*\*



DW-AS-421-065-001

DW-AS-422-065-001

DW-AS-423-065-001

DW-AS-424-065-001

DW-AS-425-065-001

A ... D

A, B

# SERIES 600

Ø 6.5

1.5

Stainless steel V2A

Connector S8

IP 67

Embeddable

5,000 Hz

Table 1

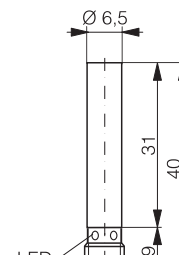
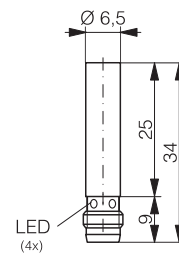
Diagram 1

Built-in

10 ... 30 VDC

-25 ... +70 °C\*

≤ 200 mA



DW-AS-601-065-123

DW-AS-601-065-124

DW-AS-602-065-123

DW-AS-602-065-124

DW-AS-603-065-123

DW-AS-603-065-124

DW-AS-604-065-123

DW-AS-604-065-124

A ... D

A ... D

\* -13 ... +158 °F

\*\*damped / non-damped

1 Inductive proximity switches

2 Photoelectric proximity switches

3 Optical fibers

4 Ultrasonic proximity switches



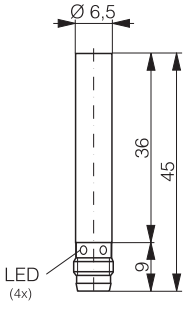
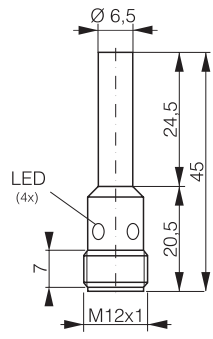
5 Connecting cables

6 Accessories

7 Glossary



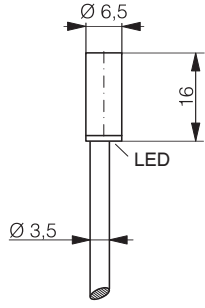
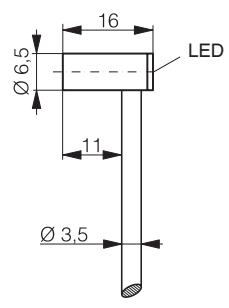
8 Index

Ø 6.5

Housing size	Ø 6.5	
Operating distance mm	<b>1.5</b>	<b>1.5</b>
Housing material	Stainless steel V2A	Stainless steel V2A
Connection <sup>1)</sup>	Connector S8	Connector S12
Degree of protection	IP 67	IP 67
Mounting	Embeddable	Embeddable
Max. switching frequency	5,000 Hz	5,000 Hz
Technical data <sup>2)</sup>	Table 1	Table 1
Wiring <sup>3)</sup>	Diagram 1	Diagram 2
LED	Built-in	Built-in
Supply voltage range	10 ... 30 VDC	10 ... 30 VDC
Ambient temperature range	-25 ... +70 °C*	-25 ... +70 °C*
Output current	≤ 200 mA	≤ 200 mA
<sup>1)</sup> Standard cable length 2 m. Non-standard cable lengths and types on request. <sup>2)</sup> see page 76 <sup>3)</sup> see page 77 <sup>4)</sup> see page 146		
	 	
Dimensions:		
Part references: ( <b>bold</b> : preferred types)		
NPN N.O.	<b>DW-AS-601-065-001</b>	<b>DW-AS-601-065</b>
NPN N.C.	DW-AS-602-065-001	DW-AS-602-065
PNP N.O.	<b>DW-AS-603-065-001</b>	<b>DW-AS-603-065</b>
PNP N.C.	DW-AS-604-065-001	DW-AS-604-065
NAMUR		
AC/DC 2-wire N.O.		
AC/DC 2-wire N.C.		
Compatible connectors <sup>4)</sup>	A ... D	G ... N (N.O.); K ... N (N.C.)

\* -13 ... +158 °F

Ø 6.5

Ø 6.5	
<b>2</b>	<b>2</b>
Stainless steel V2A	Stainless steel V2A
PVC cable type 2	PVC cable type 2
IP 67	IP 67
Embeddable	Embeddable
3,000 Hz	3,000 Hz
Table 1	Table 1
Diagram 1	Diagram 1
Built-in	Built-in
10 ... 30 VDC	10 ... 30 VDC
-25 ... +70 °C*	-25 ... +70 °C*
≤ 200 mA	≤ 200 mA
	
<b>increased distance</b>	<b>increased distance</b>
	
<b>DW-AD-621-065-120</b>	<b>DW-AD-621-065-400</b>
DW-AD-622-065-120	DW-AD-622-065-400
<b>DW-AD-623-065-120</b>	<b>DW-AD-623-065-400</b>
DW-AD-624-065-120	DW-AD-624-065-400

# SERIES 620

Ø 6.5

2	2	2	2	2
Stainless steel V2A	Stainless steel V2A	Stainless steel V2A	Stainless steel V2A	Stainless steel V2A
PVC cable type 2	PVC cable type 2	PVC cable type 2	Connector S8	Connector S8
IP 67	IP 67	IP 67	IP 67	IP 67
Embeddable	Embeddable	Embeddable	Embeddable	Embeddable
3,000 Hz	3,000 Hz	3,000 Hz	3,000 Hz	3,000 Hz
Table 1	Table 1	Table 1	Table 1	Table 1
Diagram 1	Diagram 1	Diagram 1	Diagram 1	Diagram 1
Built-in	Built-in	Built-in	Built-in	Built-in
10 ... 30 VDC	10 ... 30 VDC	10 ... 30 VDC	10 ... 30 VDC	10 ... 30 VDC
-25 ... +70 °C*	-25 ... +70 °C*	-25 ... +70 °C*	-25 ... +70 °C*	-25 ... +70 °C*
≤ 200 mA	≤ 200 mA	≤ 200 mA	≤ 200 mA	≤ 200 mA



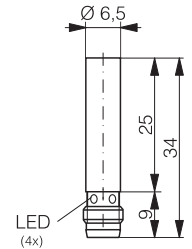
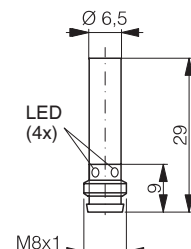
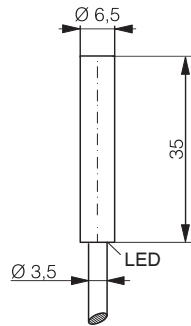
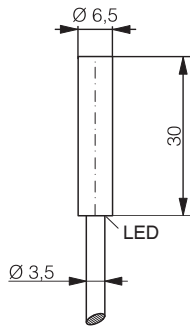
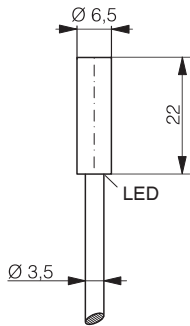
increased distance

increased distance

increased distance

increased distance

increased distance



**DW-AD-621-065-121**

**DW-AD-621-065-122**

**DW-AD-621-065**

**DW-AS-621-065-129**

**DW-AS-621-065-123**

DW-AD-622-065-121

DW-AD-622-065-122

DW-AD-622-065

DW-AS-622-065-129

DW-AS-622-065-123

**DW-AD-623-065-121**

**DW-AD-623-065-122**

**DW-AD-623-065**

**DW-AS-623-065-129**

**DW-AS-623-065-123**

DW-AD-624-065-121

DW-AD-624-065-122

DW-AD-624-065




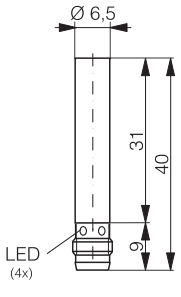
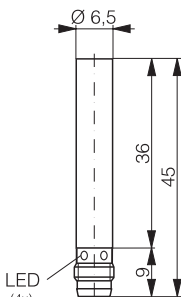
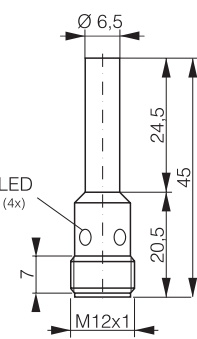
DW-AS-624-065-129


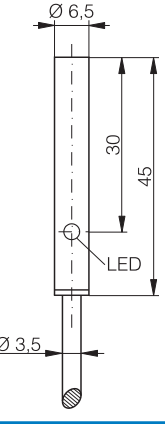
DW-AS-624-065-123

A ... D

A ... D

\* -13 ... +158 °F

Housing size	Ø 6.5		
Operating distance mm	<b>2</b>	<b>2</b>	<b>2</b>
Housing material	Stainless steel V2A	Stainless steel V2A	Stainless steel V2A
Connection <sup>1)</sup>	Connector S8	Connector S8	Connector S12
Degree of protection	IP 67	IP 67	IP 67
Mounting	Embeddable	Embeddable	Embeddable
Max. switching frequency	3,000 Hz	3,000 Hz	3,000 Hz
Technical data <sup>2)</sup>	Table 1	Table 1	Table 1
Wiring <sup>3)</sup>	Diagram 1	Diagram 1	Diagram 2
LED	Built-in	Built-in	Built-in
Supply voltage range	10 ... 30 VDC	10 ... 30 VDC	10 ... 30 VDC
Ambient temperature range	-25 ... +70 °C*	-25 ... +70 °C*	-25 ... +70 °C*
Output current	≤ 200 mA	≤ 200 mA	≤ 200 mA
<sup>1)</sup> Standard cable length 2 m. Non-standard cable lengths and types on request. <sup>2)</sup> see page 76 <sup>3)</sup> see page 77 <sup>4)</sup> see page 146			
	<b>increased distance</b>	<b>increased distance</b>	<b>increased distance</b>
			
	Part references: <b>(bold: preferred types)</b>	<b>DW-AS-621-065-124</b>	<b>DW-AS-621-065-001</b>
NPN N.O.	<b>DW-AS-621-065-124</b>	<b>DW-AS-621-065-001</b>	<b>DW-AS-621-065</b>
NPN N.C.	DW-AS-622-065-124	DW-AS-622-065-001	DW-AS-622-065
PNP N.O.	<b>DW-AS-623-065-124</b>	<b>DW-AS-623-065-001</b>	<b>DW-AS-623-065</b>
PNP N.C.	DW-AS-624-065-124	DW-AS-624-065-001	DW-AS-624-065
NAMUR			
AC/DC 2-wire N.O.			
AC/DC 2-wire N.C.			
Compatible connectors <sup>4)</sup>	A ... D	A ... D	G ... N (N.O.); K ... N (N.C.)

Housing size	Ø 6.5
Operating distance mm	<b>3</b>
Housing material	Chrome-plated brass
Connection <sup>1)</sup>	PVC cable type 2
Degree of protection	IP 67
Mounting	Quasi-embeddable
Max. switching frequency	1,000 Hz
Technical data <sup>2)</sup>	Table 1
Wiring <sup>3)</sup>	Diagram 1
LED	Built-in
Supply voltage range	10 ... 30 VDC
Ambient temperature range	-25 ... +70 °C*
Output current	≤ 200 mA
<sup>1)</sup> Standard cable length 2 m. Non-standard cable lengths and types on request. <sup>2)</sup> see page 76 <sup>3)</sup> see page 77 <sup>4)</sup> see page 146	
	<b>long distance</b>
	
	Part references: <b>(bold: preferred types)</b>
NPN N.O.	<b>DW-AD-501-065</b>
NPN N.C.	DW-AD-502-065
PNP N.O.	<b>DW-AD-503-065</b>
PNP N.C.	DW-AD-504-065
NAMUR	
AC/DC 2-wire N.O.	
AC/DC 2-wire N.C.	
Compatible connectors <sup>4)</sup>	

\* -13 ... +158 °F

# 500

Ø 6.5

3

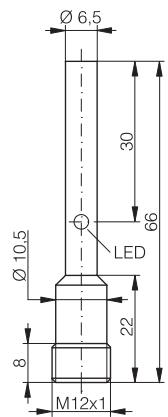
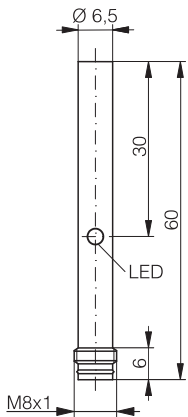
3

Chrome-plated brass	Chrome-plated brass
Connector S8	Connector S12
IP 67	IP 67
Quasi-embeddable	Quasi-embeddable
1,000 Hz	1,000 Hz
Table 1	Table 1
Diagram 1	Diagram 2
Built-in	Built-in
10 ... 30 VDC	10 ... 30 VDC
-25 ... +70 °C*	-25 ... +70 °C*
≤ 200 mA	≤ 200 mA



long distance

long distance



**DW-AS-501-065-001**  
DW-AS-502-065-001  
**DW-AS-503-065-001**  
DW-AS-504-065-001

**DW-AS-501-065**  
DW-AS-502-065  
**DW-AS-503-065**  
DW-AS-504-065

A ... D

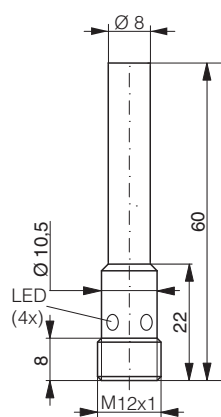
G ... N (N.O.); K ... N (N.C.)

# S 600

Ø 8

1.5

Stainless steel V2A
Connector S12
IP 67
Embeddable
5,000 Hz
Table 1
Diagram 2
Built-in
10 ... 30 VDC
-25 ... +70 °C*
≤ 200 mA



**DW-AS-603-080-168**

G ... N

# SERIES 620

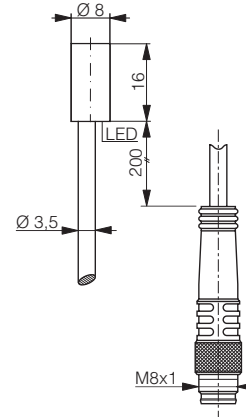
Ø 8

2

Chrome-plated brass
PVC cable type 2 / Connector S8
IP 67
Embeddable
3,000 Hz
Table 1
Diagram 1
Built-in
10 ... 30 VDC
-25 ... +70 °C*
≤ 200 mA



increased distance



**DW-AV-623-080-236**

A ... D

1 Inductive proximity switches

2 Photoelectric proximity switches

3 Optical fibers

4 Ultrasonic proximity switches

5 Connecting cables

6 Accessories

7

Glossary

8

Index

\* -13 ... +158 F