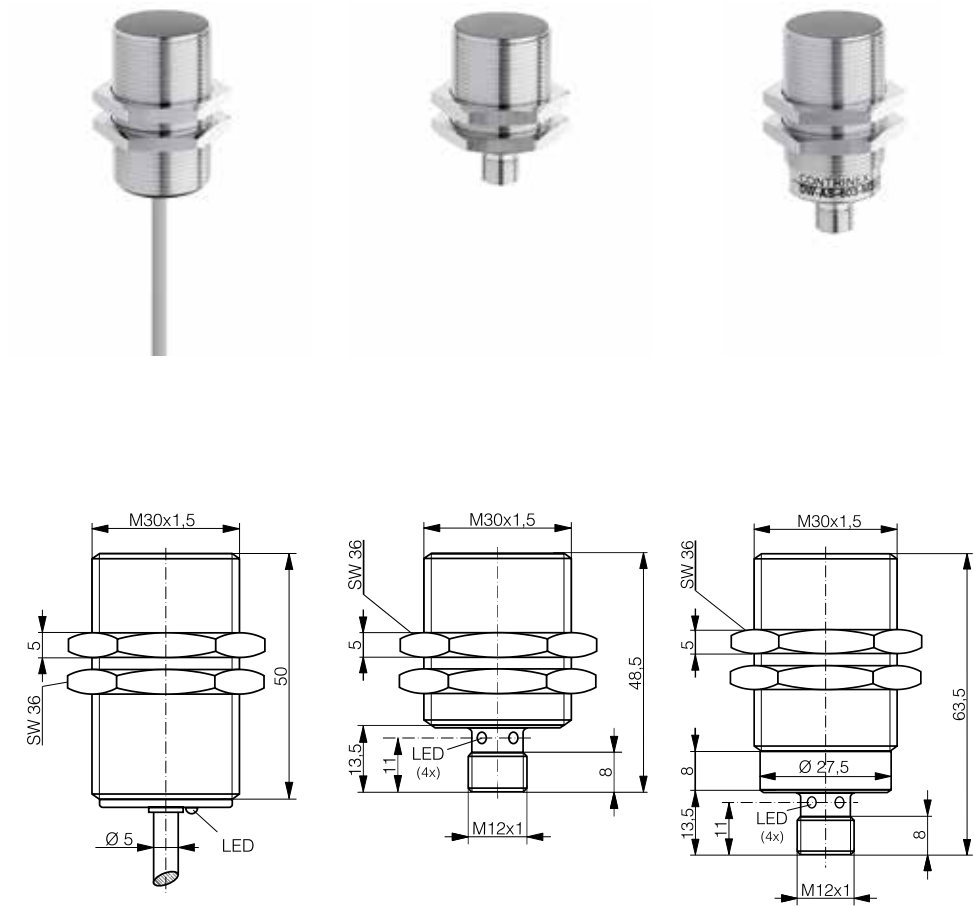


BASIC

INDUCTIVE

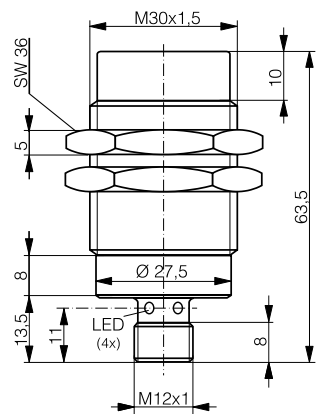
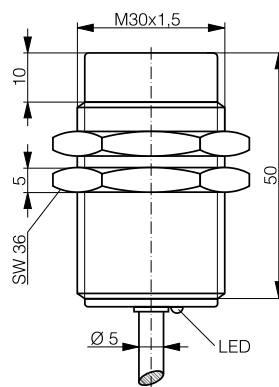
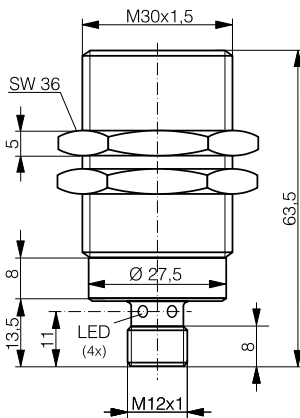
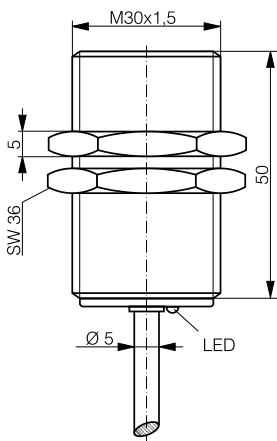
FAMILY	CLASSICS	CLASSICS	CLASSICS
HOUSING SIZE	M30	M30	M30
OPERATING DISTANCE MM	10	10	10



DATA	IO-Link	IO-Link	IO-Link
Housing material	Nickel-plated brass	Nickel-plated brass	Nickel-plated brass
Connection	PVC cable	Connector S12	Connector S12
Degree of protection	IP 67	IP 67	IP 67
Mounting	Embeddable	Embeddable	Embeddable
Max. switching frequency	1200 Hz	1200 Hz	1200 Hz
Supply voltage range	10 ... 30 VDC	10 ... 30 VDC	10 ... 30 VDC
Ambient temperature range	-25 ... +70°C / -13 ... +158°F	-25 ... +70°C / -13 ... +158°F	-25 ... +70°C / -13 ... +158°F
Output current	≤ 200 mA	≤ 200 mA	≤ 200 mA
PNP NO	DW-AD-603-M30	DW-AS-603-M30-120	DW-AS-603-M30-002
NPN NO	DW-AD-601-M30	DW-AS-601-M30-120	DW-AS-601-M30-002
PNP NC			
Other types available	PNP NC, NPN NC, length 35 mm	PNP NC, NPN NC	PNP NC, NPN NC

BASIC

FULL INOX	FULL INOX	CLASSICS	CLASSICS
M30	M30	M30	M30
10	10	15	15



IO-Link	IO-Link	IO-Link	IO-Link
Stainless steel V2A	Stainless steel V2A	Nickel-plated brass	Nickel-plated brass
PUR cable	Connector S12	PVC cable	Connector S12
IP 68	IP 68 & IP 69K	IP 67	IP 67
Embeddable	Embeddable	Non-embeddable	Non-embeddable
50 Hz	50 Hz	700 Hz	700 Hz
10 ... 30 VDC	10 ... 30 VDC	10 ... 30 VDC	10 ... 30 VDC
-25 ... +70°C / -13 ... +158°F	-25 ... +70°C / -13 ... +158°F	-25 ... +70°C / -13 ... +158°F	-25 ... +70°C / -13 ... +158°F
≤ 200 mA	≤ 200 mA	≤ 200 mA	≤ 200 mA
DW-AS-703-M30-BAS	DW-AD-703-M30-BAS	DW-AD-613-M30	DW-AS-613-M30-002
DW-AS-701-M30-BAS	DW-AD-701-M30-BAS	DW-AD-611-M30	DW-AS-611-M30-002
		PNP NC, NPN NC, length 35 mm	PNP NC, NPN NC, length 48.5 mm

Inductive

Photoelectric

Safety

RFID

Connectivity

Accessories

Glossary

Index

BASIC

FAMILY

EXTRA DISTANCE

EXTRA DISTANCE

HOUSING SIZE

M30

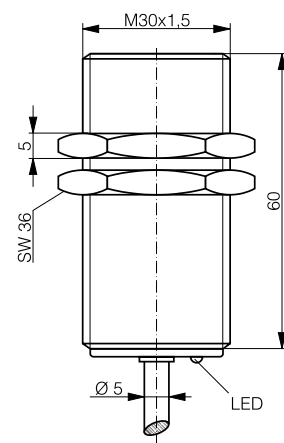
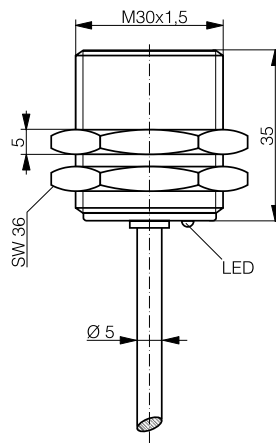
M30

OPERATING DISTANCE MM

22

22

INDUCTIVE

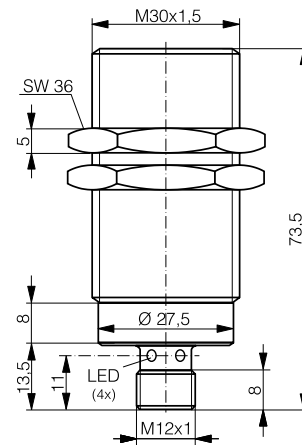
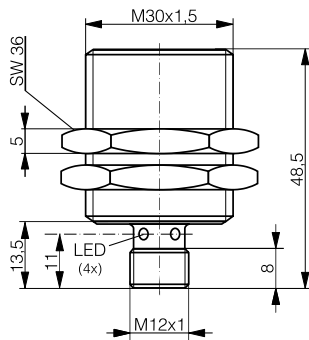


* IO-Link available from Q4/18

DATA	* IO-Link	* IO-Link
Housing material	Chrome-plated brass	Chrome-plated brass
Connection	PVC cable	PVC cable
Degree of protection	IP 67	IP 67
Mounting	Quasi-embeddable	Quasi-embeddable
Max. switching frequency	200 Hz	200 Hz
Supply voltage range	10 ... 30 VDC	10 ... 30 VDC
Ambient temperature range	-25 ... +70°C / -13 ... +158°F	-25 ... +70°C / -13 ... +158°F
Output current	≤ 200 mA	≤ 200 mA
PNP NO	DW-AD-503-M30-120	DW-AD-503-M30
NPN NO	DW-AD-501-M30-120	DW-AD-501-M30
PNP NC		DW-AD-504-M30
Other types available	PNP NC, NPN NC	NPN NC

BASIC

EXTRA DISTANCE	EXTRA DISTANCE
M30	M30
22	22



* IO-Link	* IO-Link
Chrome-plated brass	Chrome-plated brass
Connector S12	Connector S12
IP 67	IP 67
Quasi-embeddable	Quasi-embeddable
200 Hz	200 Hz
10 ... 30 VDC	10 ... 30 VDC
-25 ... +70°C / -13 ... +158°F	-25 ... +70°C / -13 ... +158°F
≤ 200 mA	≤ 200 mA
DW-AS-503-M30-120	DW-AS-503-M30-002
DW-AS-501-M30-120	DW-AS-501-M30-002
	DW-AS-504-M30-002
PNP NC, NPN NC	NPN NC

Inductive
Photoelectric
Safety
RFID
Connectivity
Accessories
Glossary
Index

BASIC

FAMILY

CLASSICS

CLASSICS

EXTRA DISTANCE

HOUSING SIZE

M30

M30

M30

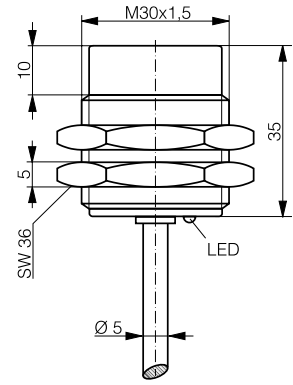
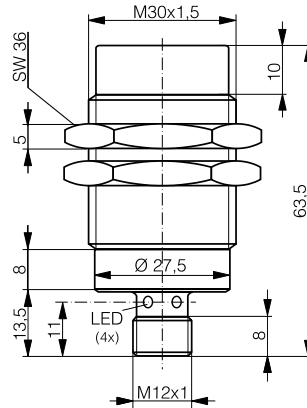
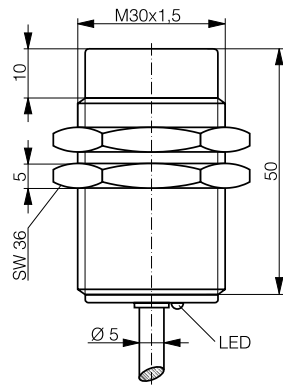
OPERATING DISTANCE MM

25

25

40

INDUCTIVE

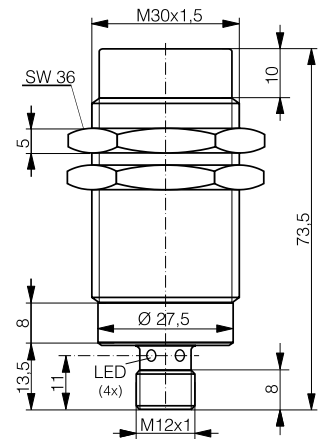
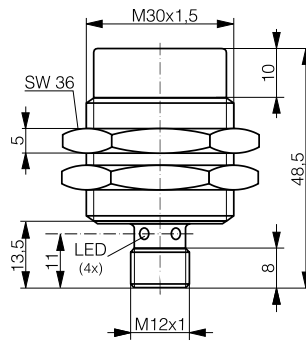
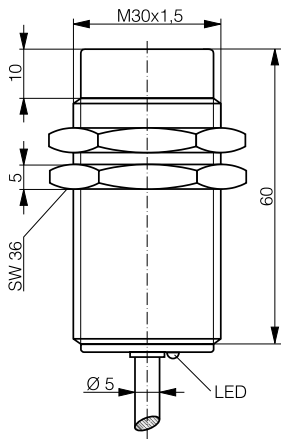


* IO-Link available from Q4/18

DATA	IO-Link	IO-Link	* IO-Link
Housing material	Nickel-plated brass	Nickel-plated brass	Chrome-plated brass
Connection	PVC cable	Connector S12	PVC cable
Degree of protection	IP 67	IP 67	IP 67
Mounting	Non-embeddable	Non-embeddable	Non-embeddable
Max. switching frequency	200 Hz	200 Hz	100 Hz
Supply voltage range	10 ... 30 VDC	10 ... 30 VDC	10 ... 30 VDC
Ambient temperature range	-25 ... +70°C / -13 ... +158°F	-25 ... +70°C / -13 ... +158°F	-25 ... +70°C / -13 ... +158°F
Output current	≤ 200 mA	≤ 200 mA	≤ 200 mA
PNP NO	DW-AD-633-M30	DW-AS-633-M30-002	DW-AD-513-M30-120
NPN NO	DW-AD-631-M30	DW-AS-631-M30-002	DW-AD-511-M30-120
PNP NC			
Other types available			PNP NC, NPN NC

BASIC

EXTRA DISTANCE	EXTRA DISTANCE	EXTRA DISTANCE
M30	M30	M30
40	40	40



* IO-Link	* IO-Link	* IO-Link
Chrome-plated brass	Chrome-plated brass	Chrome-plated brass
PVC cable	Connector S12	Connector S12
IP 67	IP 67	IP 67
Non-embeddable	Non-embeddable	Non-embeddable
100 Hz	100 Hz	100 Hz
10 ... 30 VDC	10 ... 30 VDC	10 ... 30 VDC
-25 ... +70°C / -13 ... +158°F	-25 ... +70°C / -13 ... +158°F	-25 ... +70°C / -13 ... +158°F
≤ 200 mA	≤ 200 mA	≤ 200 mA
DW-AD-513-M30	DW-AS-513-M30-120	DW-AS-513-M30-002
DW-AD-511-M30	DW-AS-511-M30-120	DW-AS-511-M30-002
		DW-AS-514-M30-002
PNP NC, NPN NC	PNP NC, NPN NC	

Inductive

Photoelectric

Safety

RFID

Connectivity

Accessories

Glossary

Index