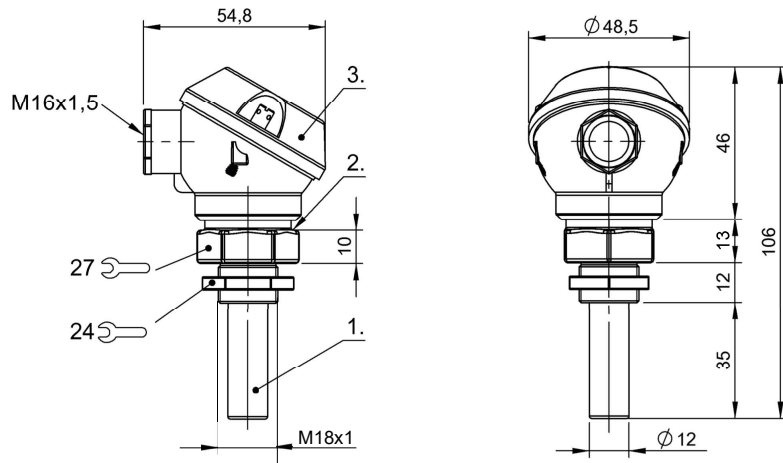


HIGH TEMPERATURE LEVEL SENSOR

Housing Diameter: **M18 x 1**



Level adjustable, Pressure rated to 10 bar



Dimensions are in mm.

Part Number:
LCFLS-125HT-M18-NF-P-NO
LCFLS-125HT-M18-NF-P-NC
LCFLS-125HT-M18-NF-N-NO
LCFLS-125HT-M18-NF-N-NC
non-flush mount

1. Sensing surface
2. Housing
3. Cover

Material Data:
Housing: Cast aluminium
Cover: Cast aluminium
Sensing face: PTFE
Connection: Screw Terminals

This sensor has the following technical specifications:

Wiring and Mounting Info

Function indicator:	Yes	Residual current I_r max.:	200 μ A
Power indicator:	No	Residual ripple max. (% of U_e):	10 %
Protection against device mix-ups:	Yes	Switching frequency:	5 Hz
Short-circuit protected:	Yes	No-load supply current I_o max:	\leq 10mA
Contamination scale:	3	Voltage drop U_d at I_o :	2.7 V
Load capacitance max. at U_e :	10 μ F	Ambient temperature T_a :	-30...+125°C
Operating voltage U_B :	10 ... 35 V DC	IP rating per IEC 60529:	IP 67
Polarity reversal protected:	Yes	IP rating at sensing surface:	IP 68 at max. 10 bar
Protection class:	II	Supply voltage:	Green LED
Rated insulation voltage U_i :	75 V DC	Output function indicator:	Yellow LED
Output current max:	100 mA	Approval/Conformity:	CE
Rated operating voltage U_o DC:	24 V	Basic standard:	IEC 60947-5-2
Ready delay t_v max.:	300 ms	Sensitivity:	media-dependent, adjustable

MTTF (40 °C) 873a
 For further information on MTTF / B10d, please refer to the MTTF/B10d Certificate. Specification of the MTTF value and the B10d value do not represent any binding quality and/or life expectancy guarantees.

Adjustment: The adjustment is carried out with a potentiometer. The objective is to set a middle value between the turn-on and turn-off point when the sensor is damped. In individual cases, when temperature swings are great and very sticky media are used, a slight readjustment may be necessary. Otherwise, our adjustment instructions for non-flush mount sensor versions apply.

Design and technical details subject to change

Locon Sensor Systems, Inc.

Toll-Free: 800-356-2661 · Phone: 419-740-8445 · Fax: 216-359-0077 · E-mail: sales@locon.net · Website: www.locon.net